

California Faucets®

**Corsano®**

**SQUEEZE LEVER PULL DOWN KITCHEN FAUCET - LOW SPOUT**

**CF-K51-102SQ-XX**

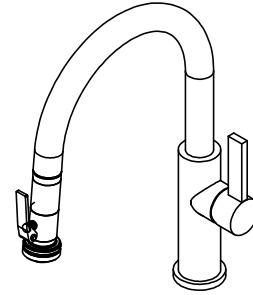
**Features**

- Over 28 finishes including 13 PVD finishes
- All brass construction
- 360° rotating spout
- PDS™ "Positive Docking System" secures sprayhead into spout
- Squeeze lever switches between aerated and spray modes
- Spray jets have easy-to-clean surface that withstands mineral build-up
- Quiet polymer-braided hose with rotating joint at sprayhead allows for smooth and non-binding use
- Ceramic disc cartridge
- Max flow rate: 1.8 gpm (6.8 L/m)

**Codes/Standards Applicable**

Meets or exceeds the following at date of manufacture:

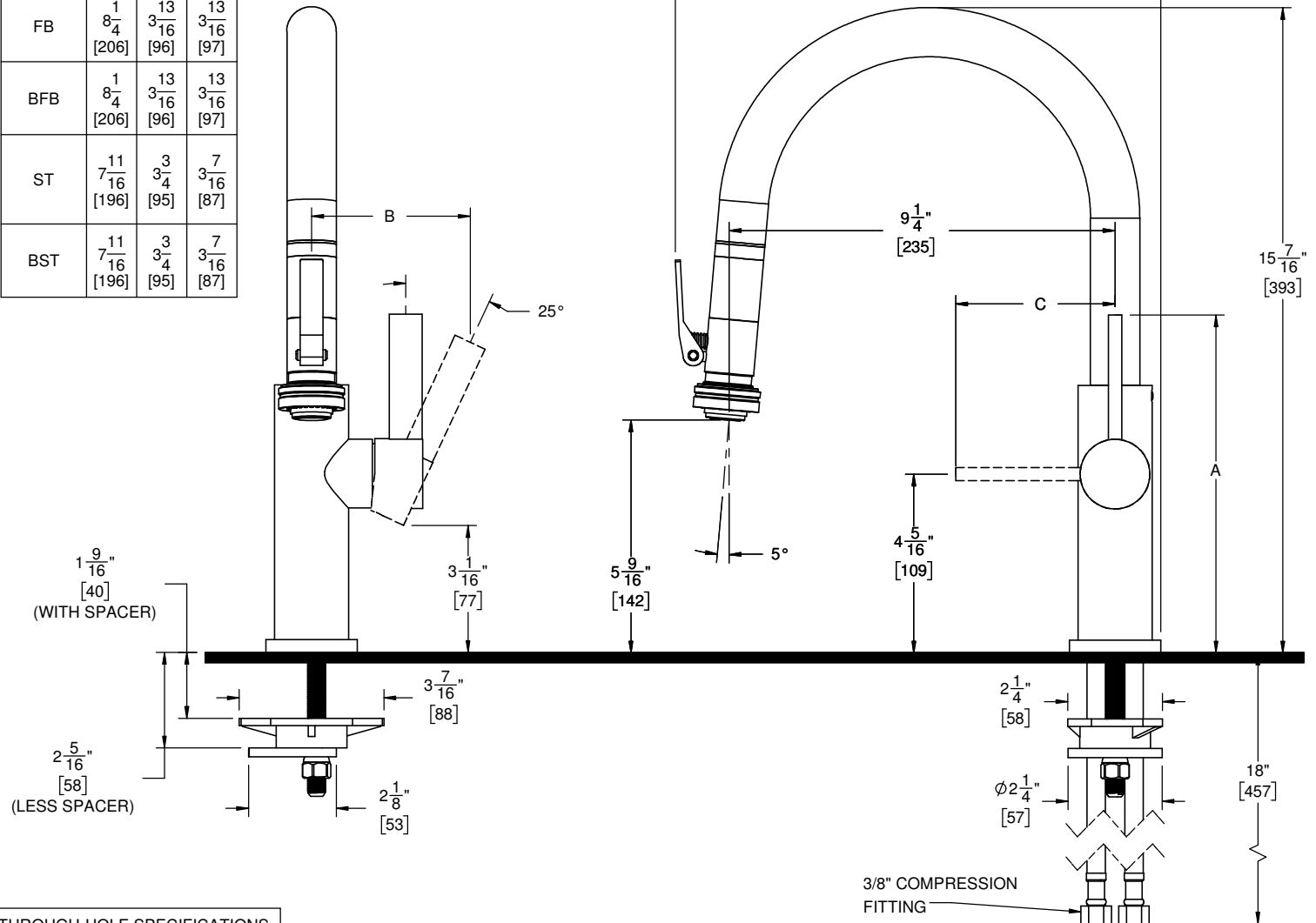
- ASME A112.18.1/CSA B125.1
- NSF 61 and NSF 372
- CEC / DOE
- Commonwealth of MA
- ADA Compliant



CF-K51-102SQ-FB shown

XX = DENOTES HANDLE STYLE

DIMENSIONS (in.)/[mm]			
XX HANDLE	A	B	C
FB	1 8/4 [206]	3 13/16 [96]	3 13/16 [97]
BFB	1 8/4 [206]	3 13/16 [96]	3 13/16 [97]
ST	7 11/16 [196]	3 3/4 [95]	7 3/16 [87]
BST	7 11/16 [196]	3 3/4 [95]	7 3/16 [87]



THROUGH-HOLE SPECIFICATIONS		
MIN	RECOMENDED	MAX
Ø1-1/4"	Ø1-3/8"	Ø1-3/8"

SPECIFICATIONS SUBJECT TO CHANGE WITHOUT NOTICE

ALL DIMENSIONS SHOWN TO NEAREST 1/16"  
[ALL DIMENSIONS SHOWN TO NEAREST 1MM]"