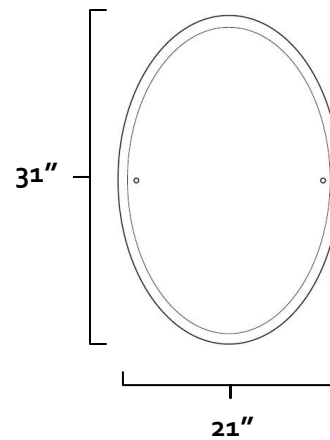


SPECIFICATIONS

ADJUSTABLE MIRRORS
OVAL BEVEL



FEATURES

Transitional styling
Multiple finishes
Concealed installation

WARRANTY

Limited lifetime

MATERIAL

Glass

Item#

2131-OVL

Mirror Thickness

1/8"

NOTE: Dimensions and specifications are subject to change without notice.

T 818.882.6028 F 818.700.1540 www.alnoinc.com