

## SPECIFICATIONS

### CONTEMPORARY II HOSPITALITY TOWEL RACK



#### FEATURES

- Modern styling
- Multiple finishes
- Concealed installation

#### WARRANTY

Limited lifetime

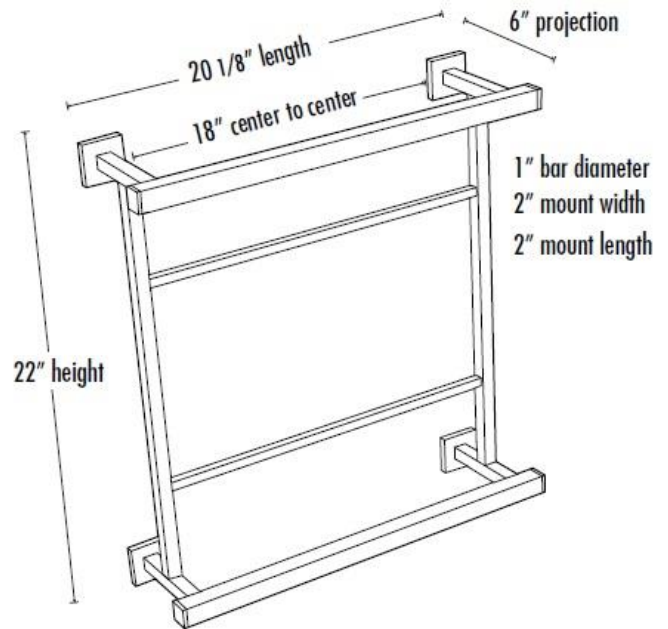
#### FINISHES

- Polished Brass/Non-lacquered (PB/NL)
- Polished Chrome (PC)
- Bronze (BRZ)
- Polished Nickel (PN)
- Satin Brass (SB)
- Satin Nickel (SN)

#### MATERIAL

Brass

## PRODUCT SHEET



#### Item#

**A8428-18**

NOTE: Dimensions and specifications are subject to change without notice.

T 818.882.6028 F 818.700.1540 [www.alnoinc.com](http://www.alnoinc.com)