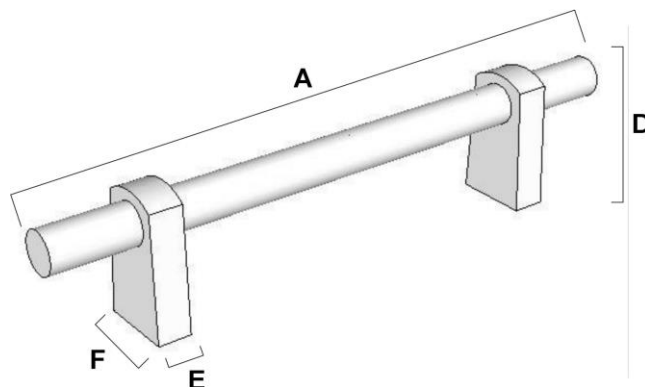


SPECIFICATIONS

VITA BELLA
APPLIANCE PULLS



PRODUCT SHEET



FEATURES

Transitional styling
Multiple finishes
Concealed installation

WARRANTY

Limited lifetime

FINISHES

Matte Black (MB)
Champagne (CHP)
Matte Nickel (MN)
Champagne/Matte Black (CHP/MB)
Matte Nickel/Matte Black (MN/MB)

MATERIAL

Aluminum

Item#	A	B	C	D	E (L)	F (W)
D2801-12	14 3/4"	12"	5/8"	2-1/8"	7/16"	11/16"
D2801-18	20 3/4"	18"	5/8"	2-1/8"	7/16"	11/16"
D2801-24	26 3/4"	24"	5/8"	2-1/8"	7/16"	11/16"

KEY :

A Overall Length
B Center to Center
C Bar Width
D Projection
E Mount Length
F Mount Width

NOTE: Dimensions and specifications are subject to change without notice.