

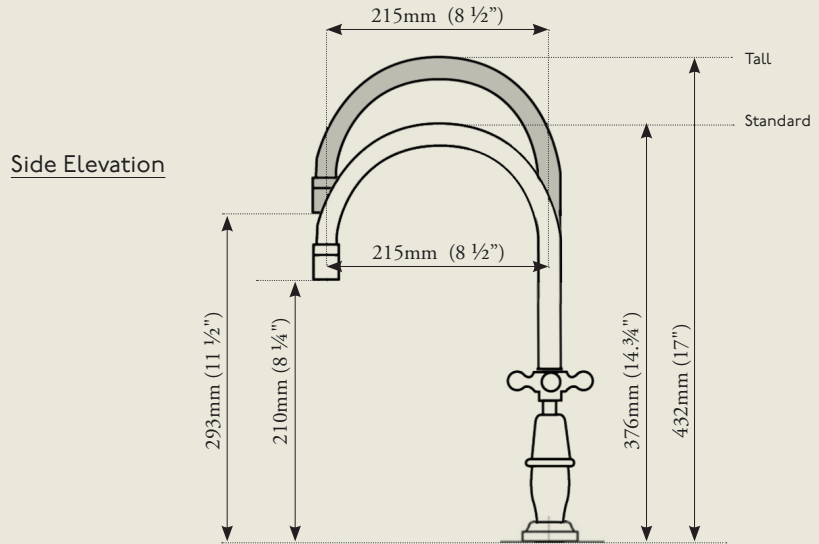
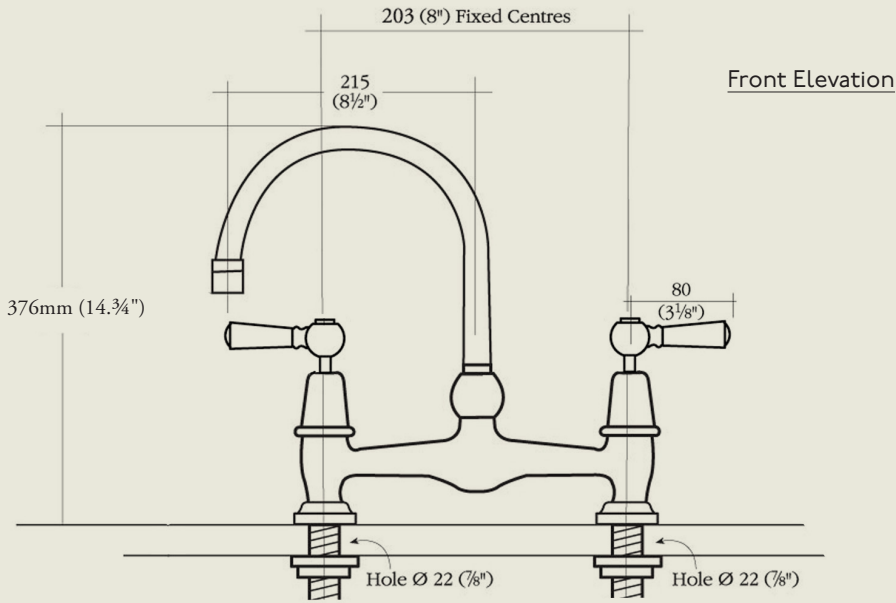


BY APPOINTMENT TO
HER MAJESTY QUEEN ELIZABETH II
MANUFACTURER OF KITCHEN & BATHROOM TAPS & MIXERS
BARBER WILSONS & CO. LTD.
LONDON

LONDON

BARBER WILSONS & CO

EST. 1905



Model No. RCLI010-1900-MU
2 Swan Neck Heights Available

Internals Standard-3/4 ceramic cartridge
Optional compression cartridge available

MADE IN LONDON



info@barberwilsons.co.uk
+44 (0) 20 8888 3461

Barber Wilsons & Co Ltd, Crawley Road, London N22 6AH
REG. OFFICE. AS ABOVE · REG. NO. 100285 ENGLAND

BARBERWILSONS.COM