



Tel: 714-891-7797  
 Fax: 714-891-2478  
 Toll Free: 800-822-8855  
 www.calfaucets.com

California Faucets®

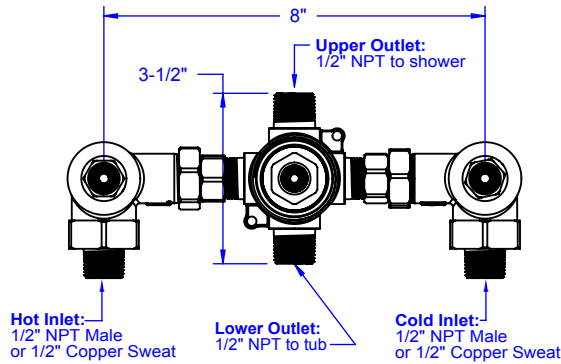
# 3-WAY VALVE

3-VR

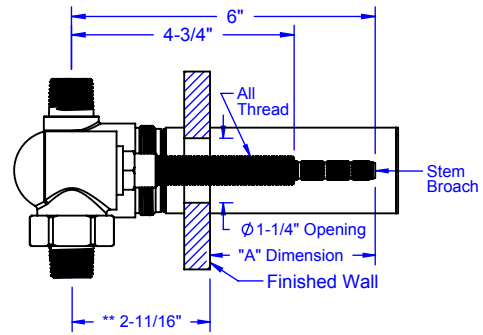
## INSTALLATION INSTRUCTIONS

California Faucets reserves the right to make modification and specification changes at any time. Please visit [www.calfaucets.com](http://www.calfaucets.com) for most current technical data.

**Front View**



**Side View**



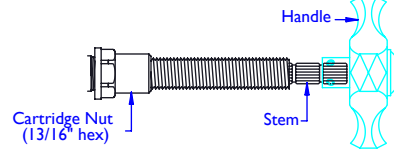
**"A" DIMENSION**

"A" Dimension is from finished wall to tip of stem broach

Series #	"A"
30	1-3/4"
33/34/35/36	2-3/8"
38/42	2-5/8"
44	2-7/16"
45	2-1/8"
46/47	2-1/2"
48	2-5/16"
50	2-1/4"
51	2-1/2"
53	2-1/4"
55	2-5/8"
57	2"
59	2-5/8"
60	2-1/4"
62	1-7/16"
63	3"
64	2-5/8"
65/66	2-1/8"
67	2-1/4"
68/69	2-3/8"
70	1-3/8"
**71	1"
**72	1"
**73	1"
**74	3/4"
**77	1-5/16"
**77R	1"
E3/E4	15/16"
85	1-1/2"

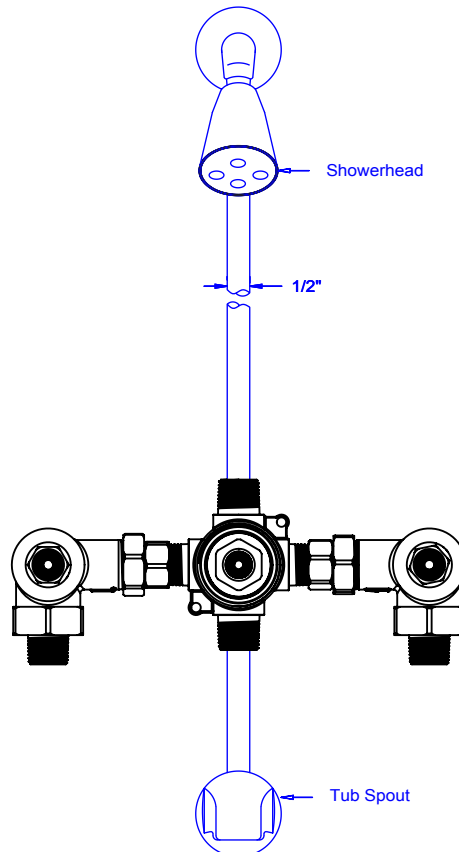
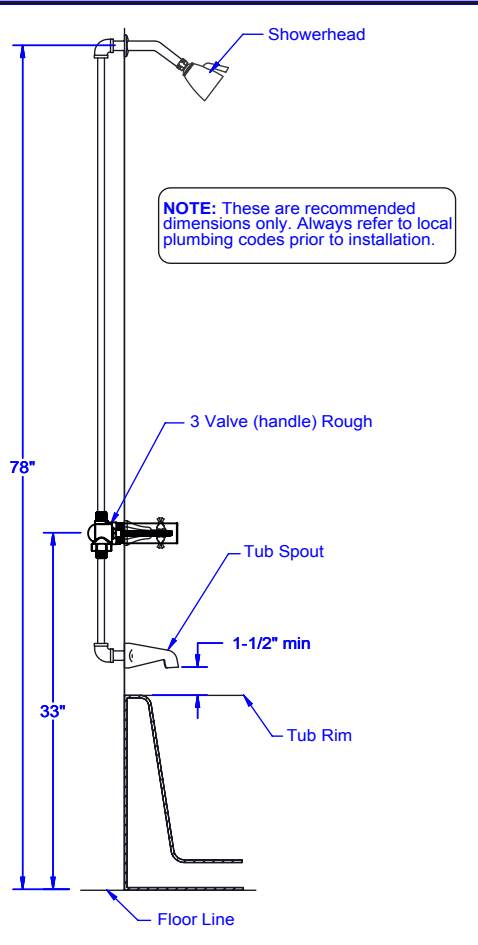
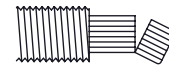
**NOTE:** In some cases, it may be necessary to re-align cartridge Stem to achieve desired handle alignment. To align stem, slightly loosen in a CCW direction the Cartridge Nut. Place Handle on Stem and TIGHTEN in a CW direction until desired alignment of handle is achieved. Retighten Cartridge Nut to factory torque setting of 14 ft-lbs. (Cartridge Nut size is 13/16" hex)

**WARNING:** Cartridge Nut MUST be properly torqued to prevent possible failure and/or water damage.



\*\*NOTE: For Series #71, 72, 73 & 74 valve rough must be set back a minimum of 2-11/16" from finished wall surface to center of inlets.

**NOTE:** When fitting handle it may be necessary to shorten broach stem and/or all thread to eliminate gap between handle & escutcheon.



**IMPORTANT CLEANING NOTICE** Please refer to *Finish Care Instructions* for complete cleaning information. Wipe frequently with a soft, damp cloth. **Never use acids, harsh abrasives or detergents.**