



California Faucets®

Trousdale™

CI08, CI08X, CI08XS

Roman Tub Set

Installation Instructions

CALIFORNIA FAUCETS RECOMMENDS THAT ALL PLUMBING PRODUCTS BE INSTALLED BY A LICENSED PROFESSIONAL

IMPORTANT: Read all instructions prior to installation and provide copy of instructions to consumer.

Operating Specifications:

Recommended Supply Pressure:

20 to 70 psi*†

Maximum Flow Rate:

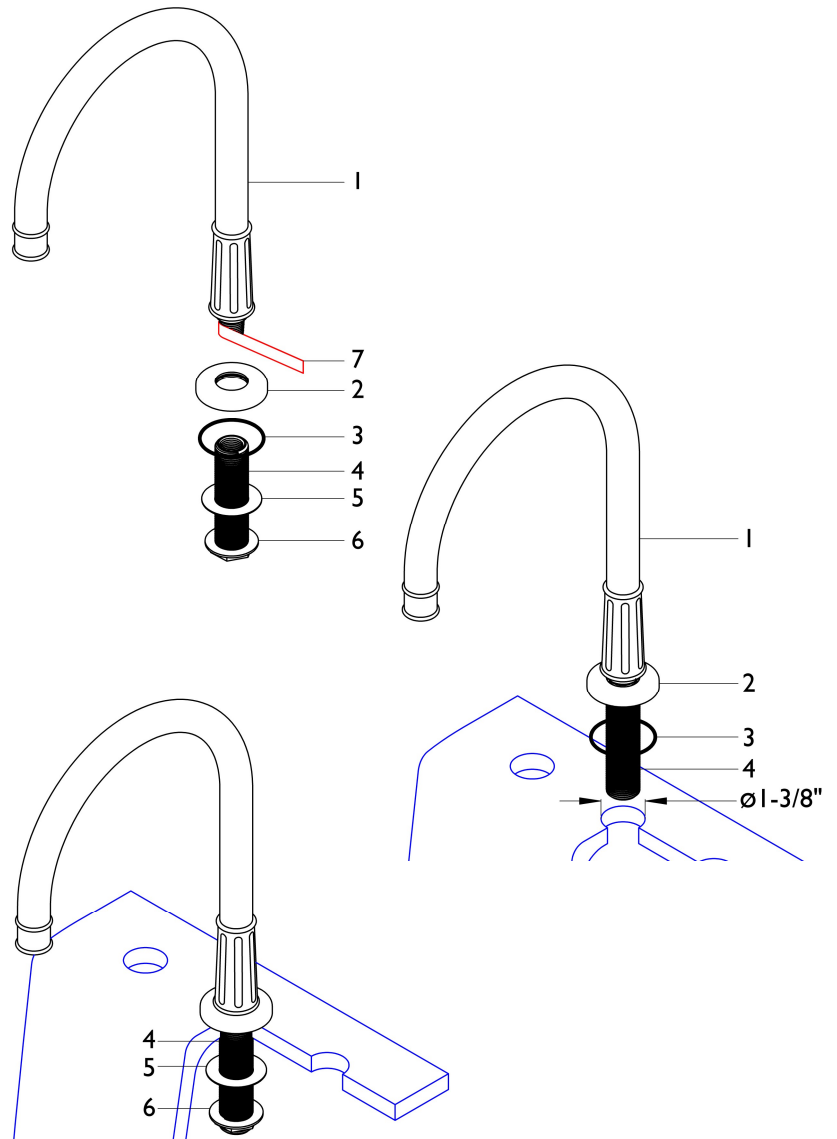
15 gpm

* Operating pressures between hot and cold supplies should vary no more than 30 psi.

† If water pressure exceeds 70 psi, install a Pressure-Reducing Valve (PRV).

INSTALLING SPOUT

- Tub/Deck recommended hole size shall be **Ø1-3/8"**
- Apply Teflon® tape (7) (not supplied) to threaded portion of SPOUT (1)
- Slide RING (2) and securely tighten NIPPLE (4) to SPOUT (1)
- Remove WASHER (5) and NUT (6) from NIPPLE (4)
- Place O-RING (3) onto RING (2) and slide NIPPLE (4) though tub/deck hole
- From underside place WASHER (5) onto NIPPLE (4) and secure spout into place with NUT (6)

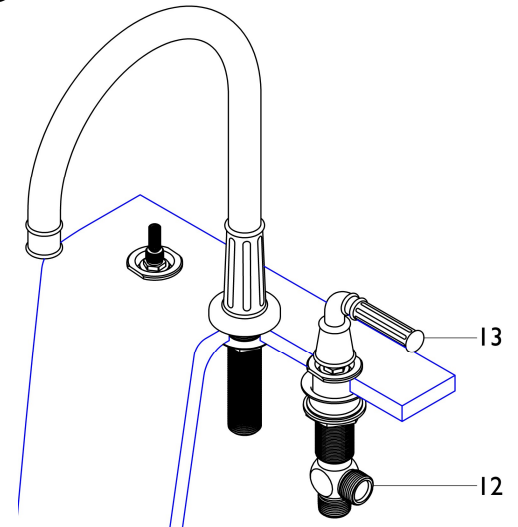
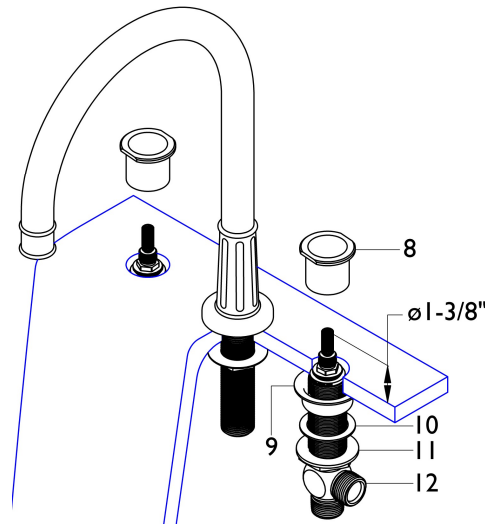


2 INSTALLING VALVE

- Tub/Deck recommended hole size shall be $\varnothing 1-3/8''$
- From underside insert VALVE (12) through appropriate tub/deck hole

IMPORTANT: VALVES (11) are labeled as follows:
BLUE is **COLD** left turning (counter-clockwise) closed
RED is **HOT** right-turning (clockwise) closed

- Position FLANGE NUT (11), WASHER (10), and CUP SPACER (9) so that VALVE (12) extends $1-3/8''$ above tub/deck surface
- Attach INVERTED NUT (8) to VALVE (12)
- Use HANDLE (13) to confirm proper VALVE (12) alignment, rotate VALVE (12) if necessary

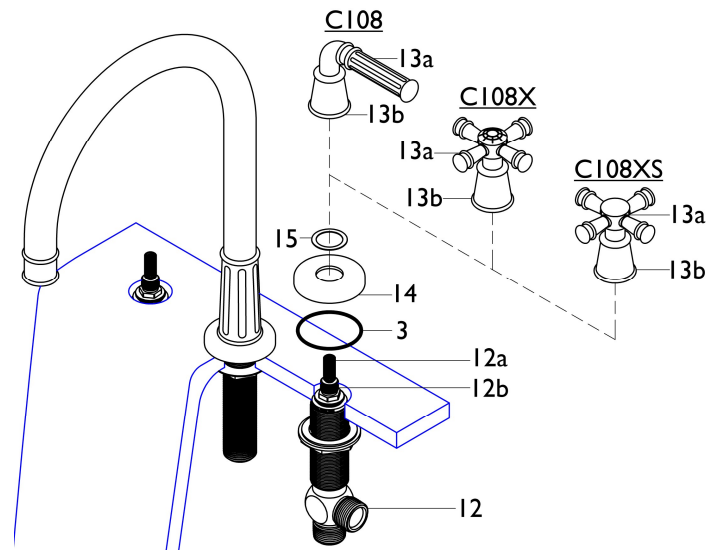


3 INSTALLING HANDLE

NOTE: Check that handle ESCUTCHEON (13b) spin independently of handle TOP (13a)

- Place O-RING (3) and handle RING (14) over valve THREADS (12b)
- Center handle WASHER (15) onto ESCUTCHEON (13b)
- Slide HANDLE (13) and WASHER (15) down onto valve STEM (12a)
- Secure HANDLE (13) to deck by tightening handle ESCUTCHEON (13b) onto valve THREADS (12b)

IMPORTANT: To obtain proper alignment it may be necessary to rotate VALVE (12) so that HANDLE (13) is aligned to desired orientation



4

INSTALLING SUPPLY LINES

- Must use rigid copper piping (not flex) for all connections between spout and valves
- California Faucets recommends that all installation types have access panel(s) to allow for maintenance and/or service

DISCLAIMER: To conform to many local codes and/or ordinances, it may be required that California Faucets Roman Tub sets be installed in conjunction with an ASSE 1070 approved tempering valve to reduce hot water supply to a safe temperature.

IMPORTANT: the INSTALLER is responsible to check local codes and/or ordinances, to confirm and verify proper maximum hot water temperature settings for all products installed.

WARNING: Water temperatures in excess of 110° F (43°C) are dangerous and may cause severe scalding and injury.

