

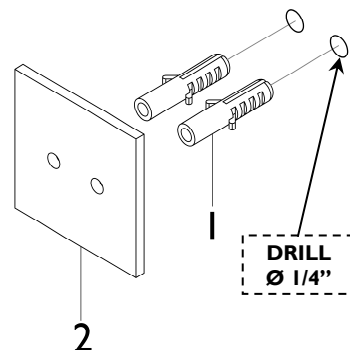
Handshower Holder Wall Bracket Installation Instructions

CALIFORNIA FAUCETS RECOMMENDS THAT ALL PLUMBING PRODUCTS BE INSTALLED BY A LICENSED PROFESSIONAL

IMPORTANT: Read all instructions prior to installation and provide copy of instructions to consumer.

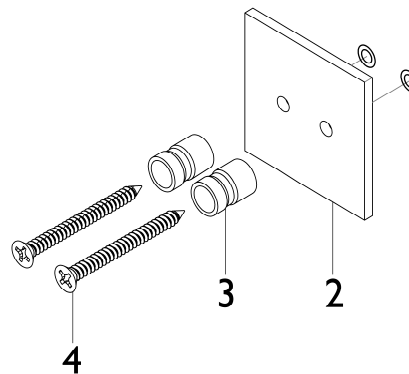
1 PRE-DRILL WALL FOR SCREW ANCHOR

- Use a level and place **BASE (2)** to desired location on finished wall surface to mark the two hole positions
- Using appropriate drill bit, drill \varnothing 1/4" holes from marked hole positions
- Insert **ANCHORS (1)** into drilled holes



2 INSTALLING ADAPTER TO WALL

- Insert **SCREWS (4)** into **ADAPTER (3)** and **BASE (2)**, then tighten **SCREWS (4)** into anchored wall



3 ATTACHING HOLDER

- Align and place **HOLDER (5)** onto **ADAPTER (3)**
- Tighten **SETSCREW (6)** with hex **KEY (7)** provided

