



Features

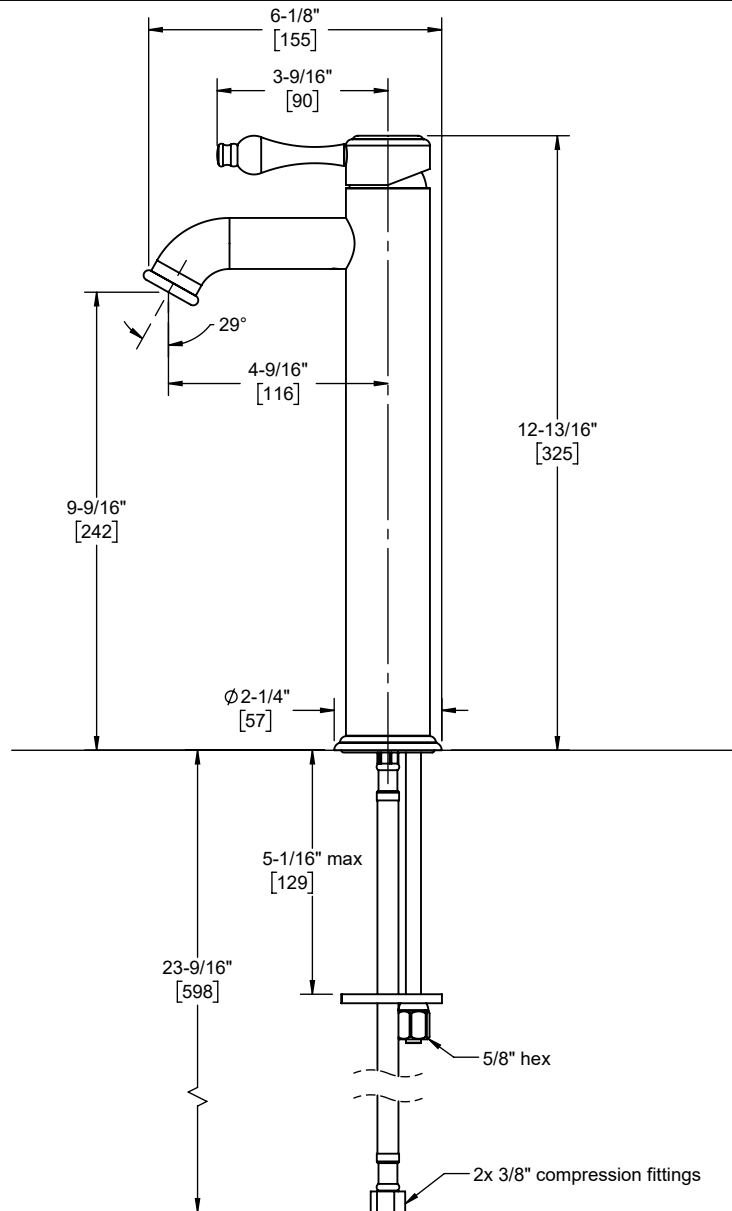
- Available in 27 finishes including 12 PVD finishes
- All brass construction
- Single handle operation cartridge with ceramic disc
- Flexible braided hoses for ease of installation
- 1.2gpm (4.5 L/min) max flow rate



Codes/Standards Applicable

Product meets or exceeds the following:

- ASME A112.18.1/CSA B125.1
- NSF 61, NSF 372, CEC & DOE
- EPA WaterSense
- Commonwealth of MA
- ADA compliant



Through-Hole Specifications	
Min	Recommended
Ø 1-1/4" [32]	Ø 1-3/8" [35]

Dimensions are inches, rounded to 1/16"
[Dimensions in brackets are mm, rounded to 1mm]