



California Faucets®

ZeroDrain®

INTEGRAL OVERFLOW TUB DRAIN

Features

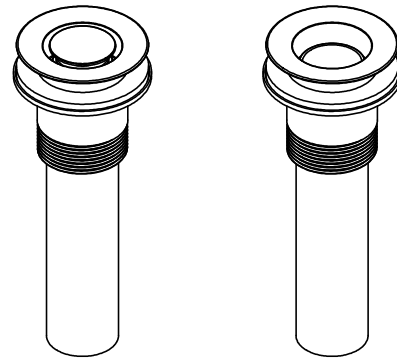
- All brass construction
- Stopper is flush with flange in open position
- Stopper has built-in hair catcher for easy maintenance
- For tubs with integral (molded into tub wall) overflow only
- Overflow hole design prevents standing water and buildup
- US Patented design No. D817,463
- Over 30 finishes including 15 PVD finishes

Codes/Standards Applicable

Product meets or exceeds the following:

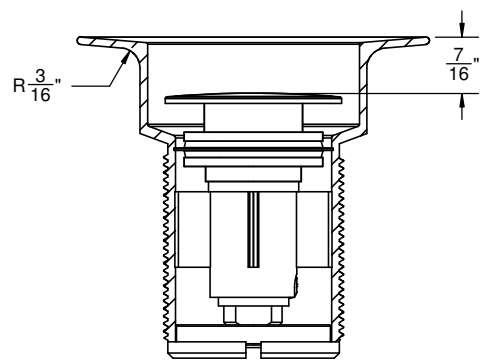
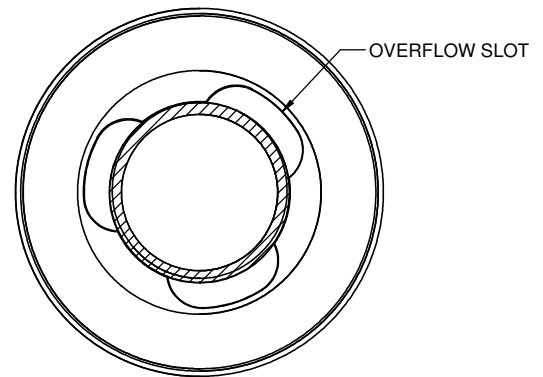
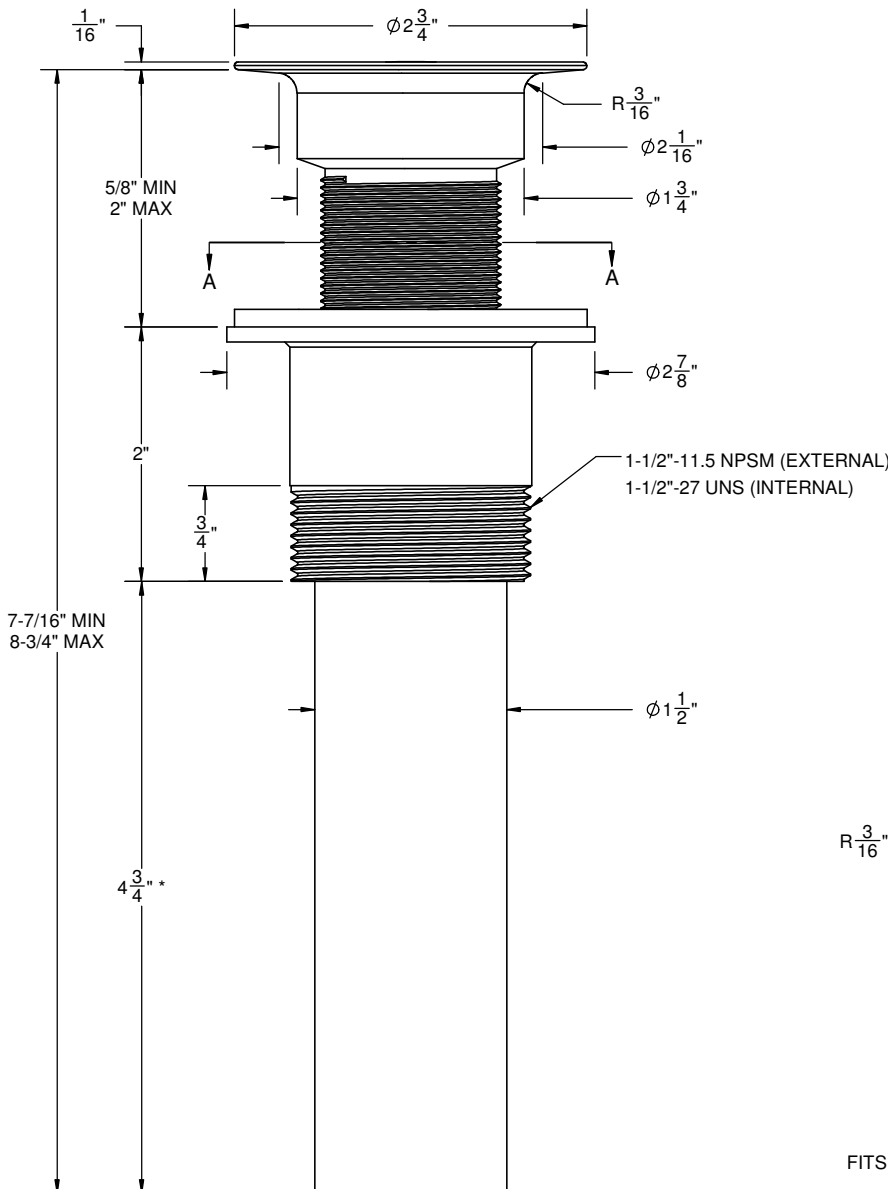
- ASME A112.18.2/CSA B125.2

9229Z



OPEN CONFIGURATION

CLOSED CONFIGURATION



* TAIL PIECE MAY BE CUT TO 1" MIN