



California Faucets®

# D Street™

## WALL LAVATORY

### Features

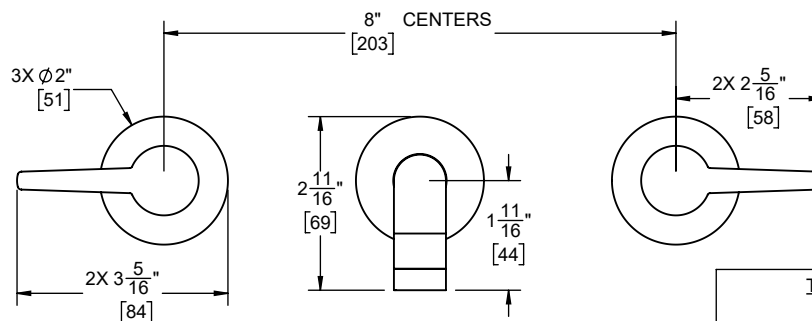
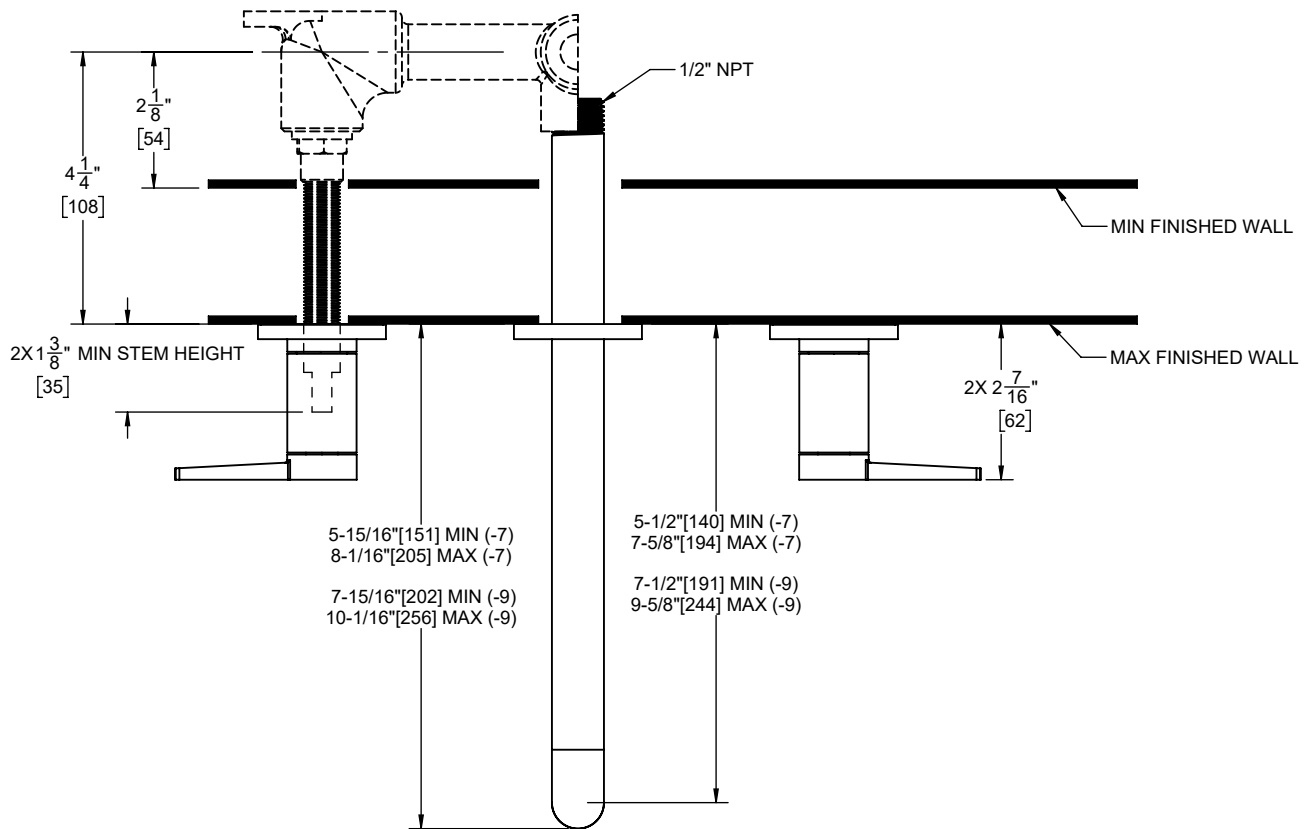
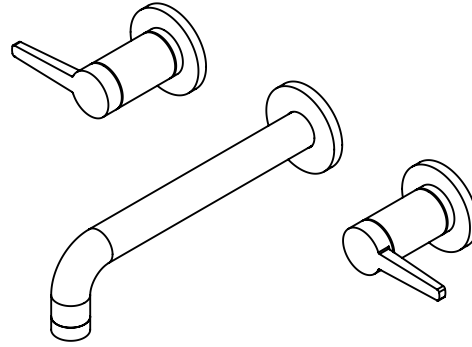
- Available in 28 finishes including 13 PVD finishes
- All brass construction
- 1.2gpm (4.5 L/min) max flow rate
- Rough valve (VL-R) sold separately

### Codes/Standards Applicable

Product meets or exceeds the following:

- ASME A112.18.1/CSA B125.1
- NSF/ANSI 61 & NSF/ANSI 372
- CEC / DOE
- EPA WaterSense High Efficiency Lavatory
- Commonwealth of MA
- ADA compliant

TO-V5302-7/9  
 TO-V5302F-7/9  
 TO-V5302K-7/9



#### THROUGH-HOLE SPECIFICATIONS

	MIN	RECOMMENDED	MAX
SPOUT: Ø	15/16" [24]	1-1/4" [32]	1-5/8" [41]
HANDLE: Ø	11/16" [17]	1-1/4" [32]	1-5/8" [41]

DIMENSIONS SHOWN TO NEAREST 1/16"  
[DIMENSIONS SHOWN TO NEAREST 1MM]

SPECIFICATIONS SUBJECT TO CHANGE WITHOUT NOTICE