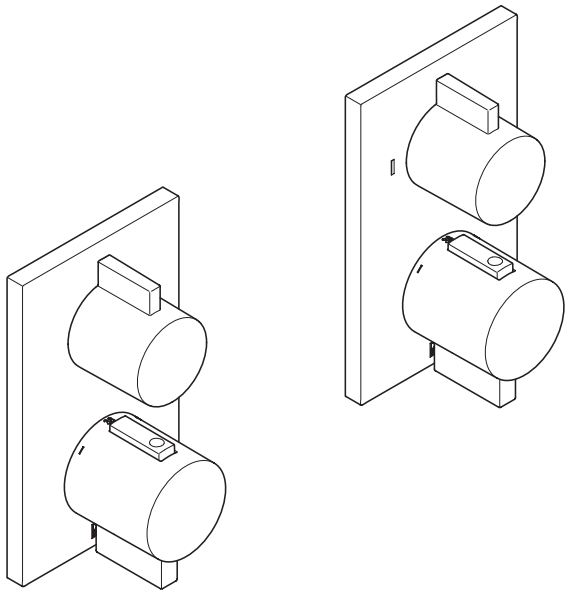


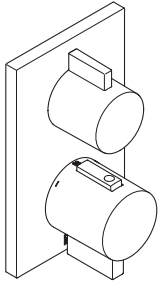


Dornbracht Assembly Instructions

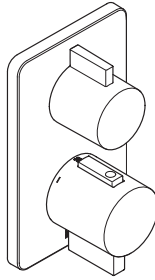
For use with shower heads rated at 1.4 gpm / 5.3 l/min or higher.



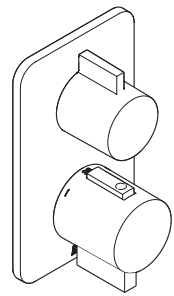
36 425 670-FF 0010 / 36 425 710-FF 0010 / 36 425 845-FF 0010 / 36 425 970-FF 0010 /
36 425 977-FF 0010 / 36 426 670-FF 0010 / 36 426 710-FF 0010 / 36 426 720-FF 0010 /
36 426 845-FF 0010 / 36 426 970-FF 0010 / 36 426 977-FF 0010



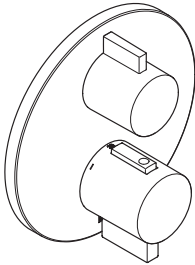
36 425 670-FF 0010



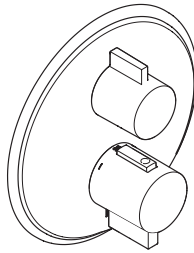
36 425 710-FF 0010



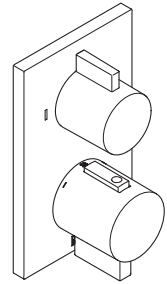
36 425 845-FF 0010



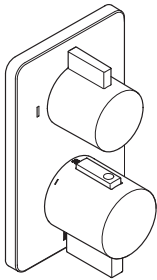
36 425 970-FF 0010



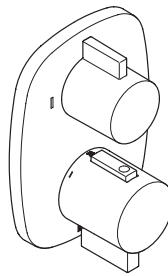
36 425 977-FF 0010



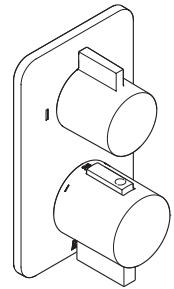
36 426 670-FF 0010



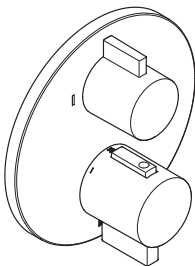
36 426 710-FF 0010



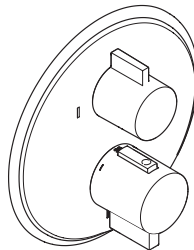
36 426 720-FF 0010



36 426 845-FF 0010



36 426 970-FF 0010



36 426 977-FF 0010

General warnings



Caution!

This icon warns of property damage due to non-compliance with the safety instructions.



Note!

This icon warns of possible property damage due to non-compliance with the installation instructions.

All work must be carried out exclusively by trained, qualified personnel! Only then can the manufacturer assume liability. National accident prevention regulations have priority in all cases. Operating conditions and dimensions can be found in the appendix.

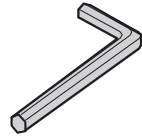
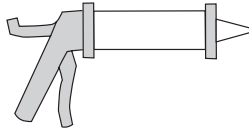
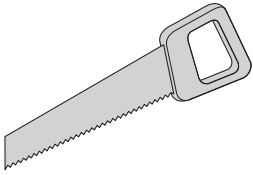
Care and Maintenance



Technical data



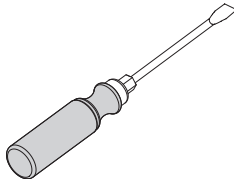
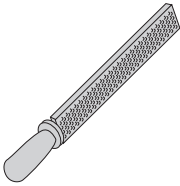
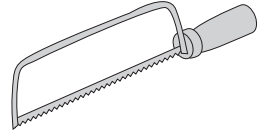
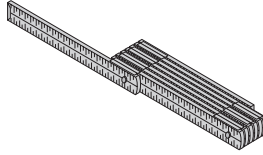
dornbracht.com
> Professional



2 / 2,5 / 6 / 10 mm

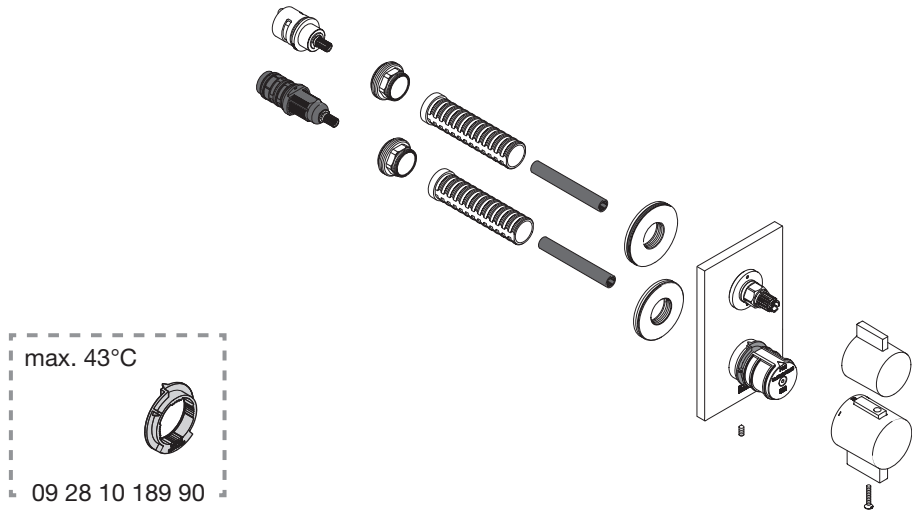


22 / 24 mm

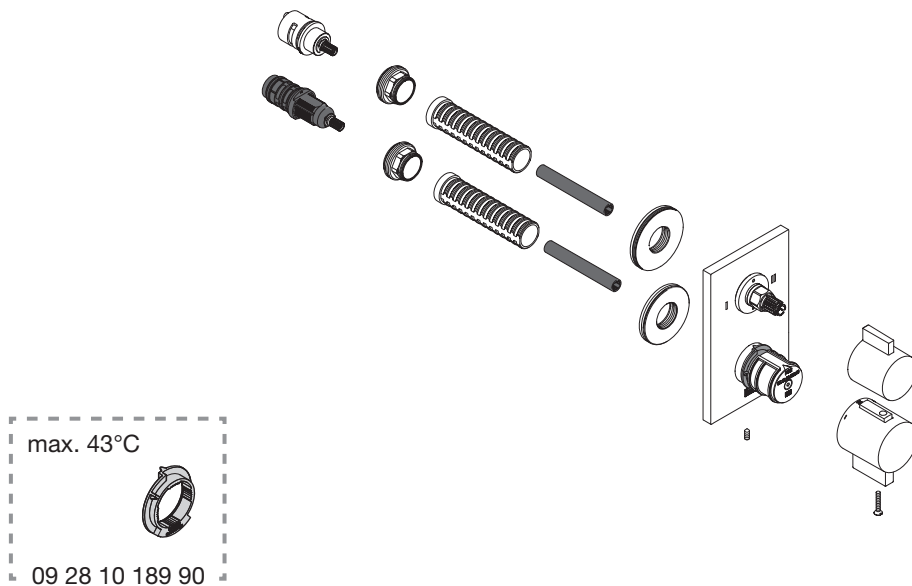


Parts supplied

36 425 670-FF 0010 / 36 425 710-FF 0010 / 36 425 845-FF 0010 / 36 425 970-FF 0010 /
36 425 977-FF 0010

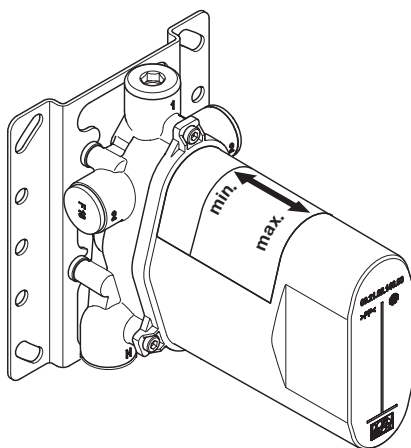


36 426 670-FF 0010 / 36 426 710-FF 0010 / 36 426 720-FF 0010 / 36 426 845-FF 0010 /
36 426 970-FF 0010 / 36 426 977-FF 0010



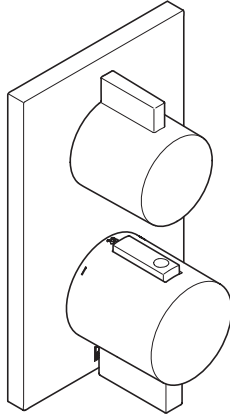
Required miscellaneous article

35 426 970-90 0010

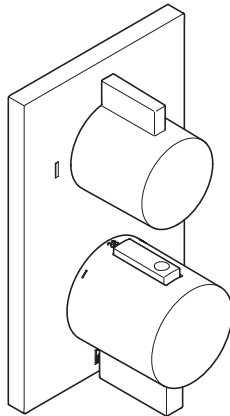


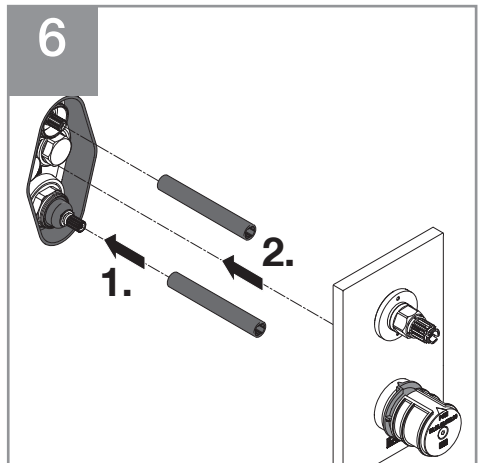
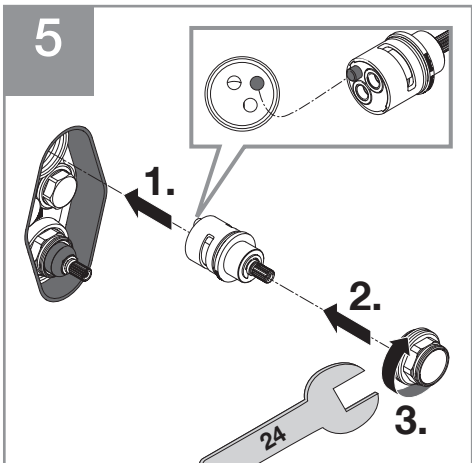
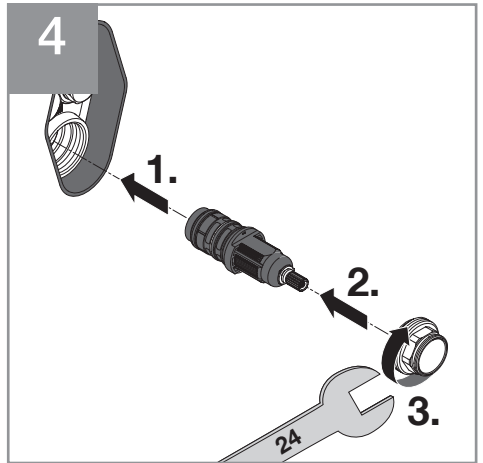
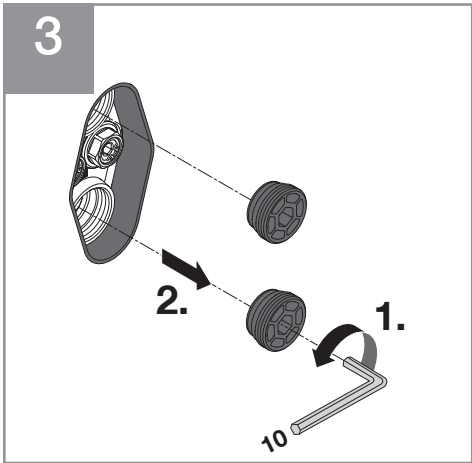
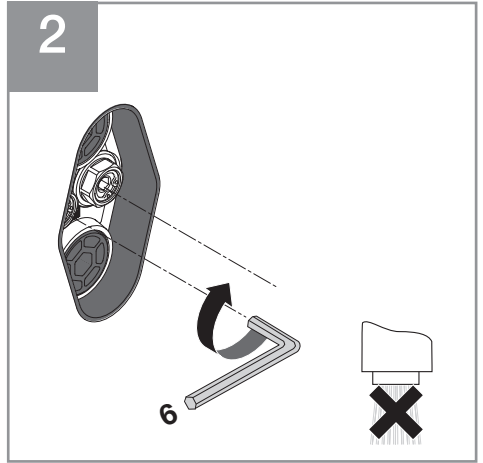
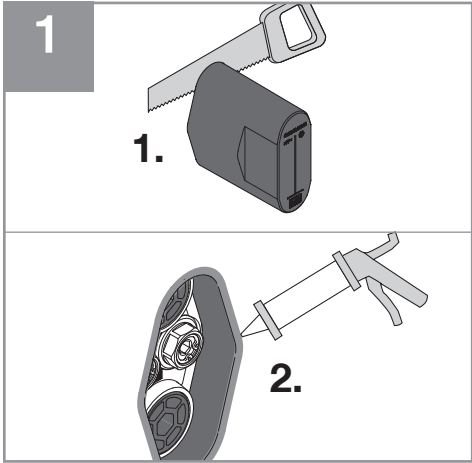
Assembly versions

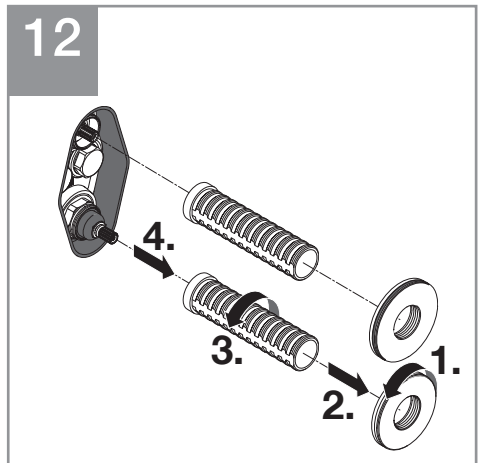
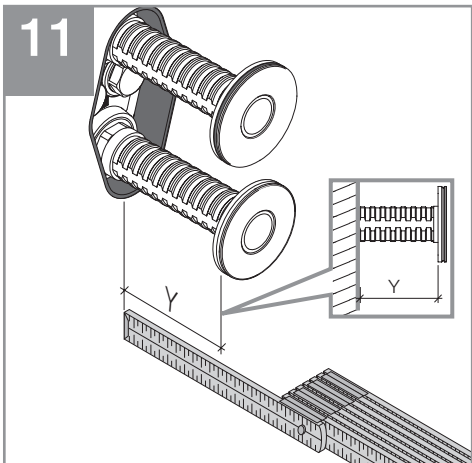
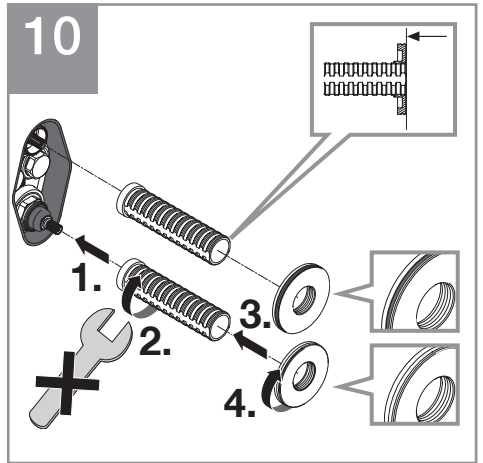
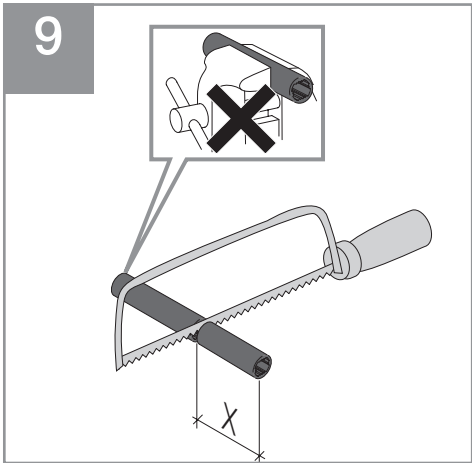
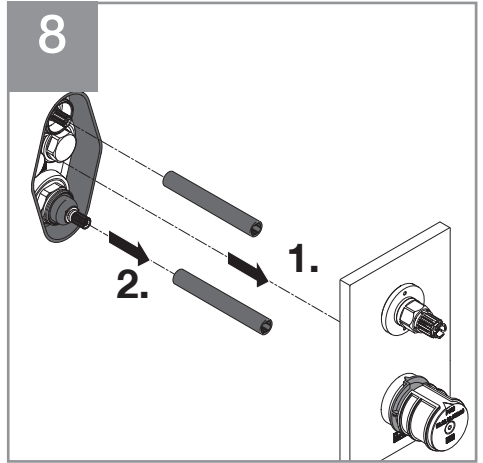
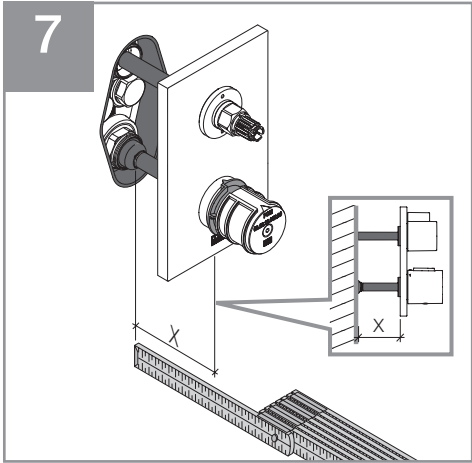
a 36 425 XXX-FF 0010

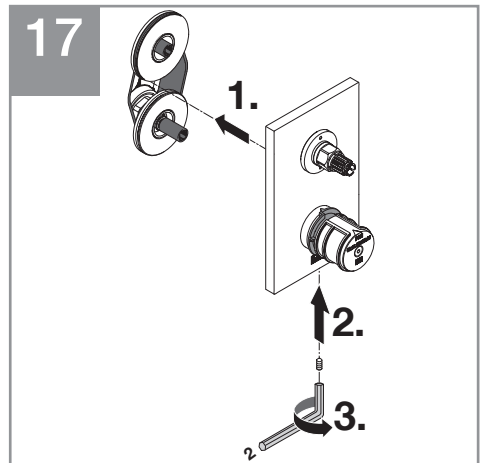
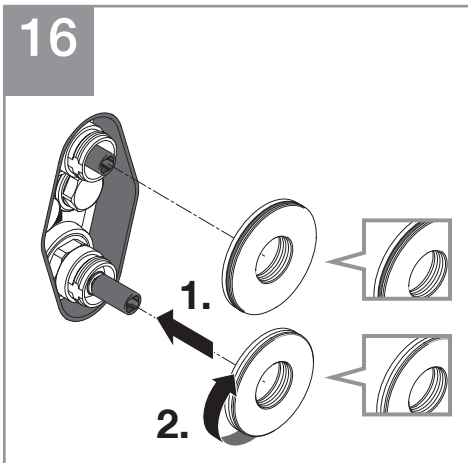
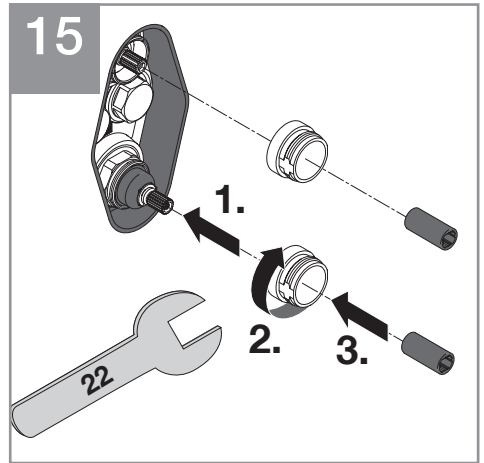
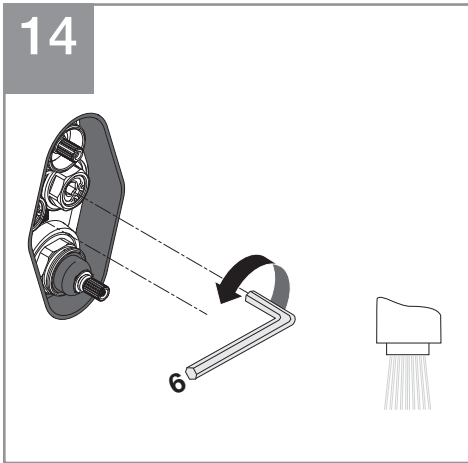
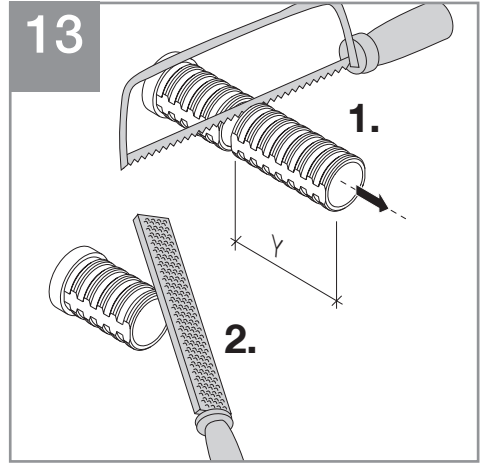
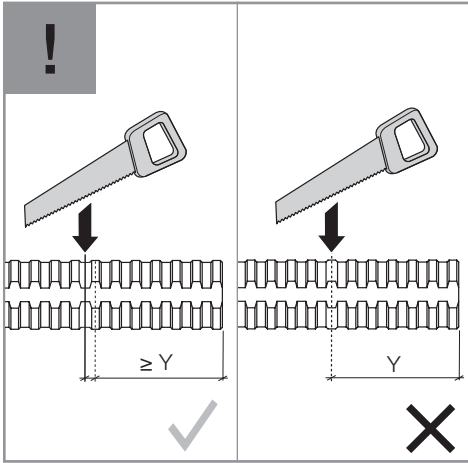


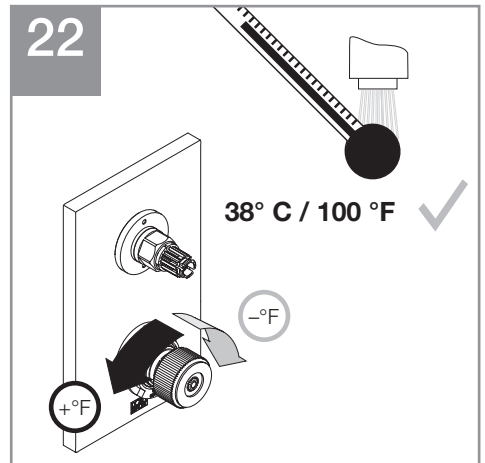
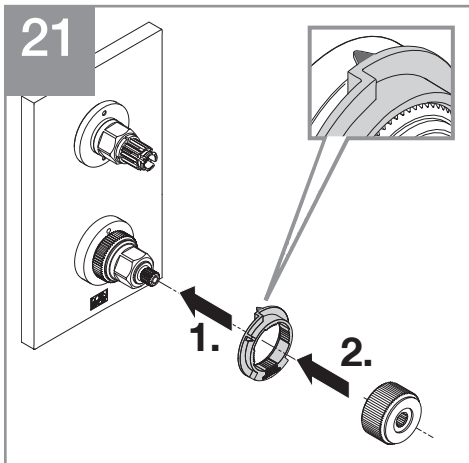
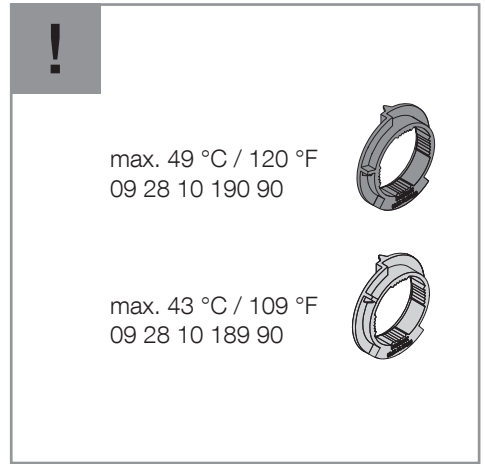
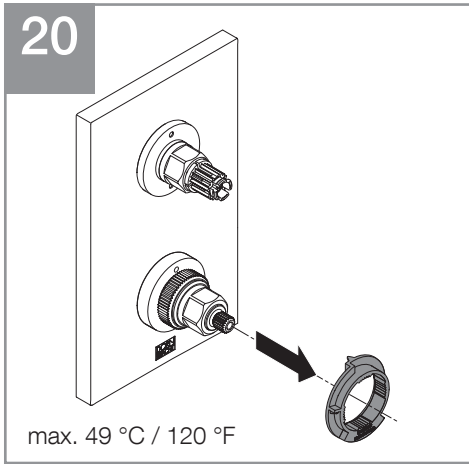
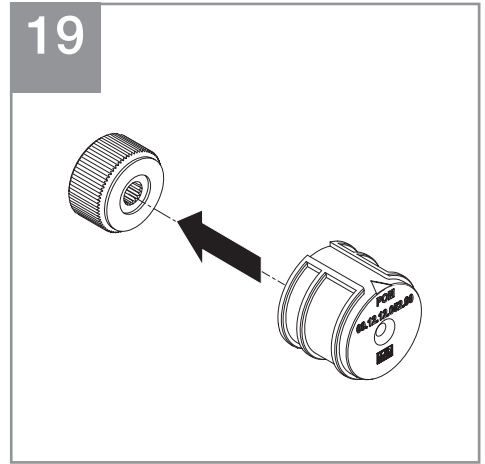
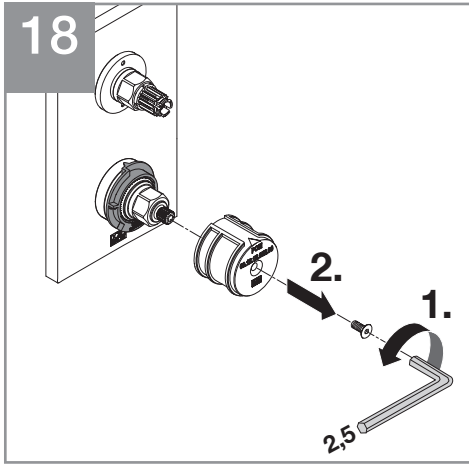
b 36 426 XXX-FF 0010

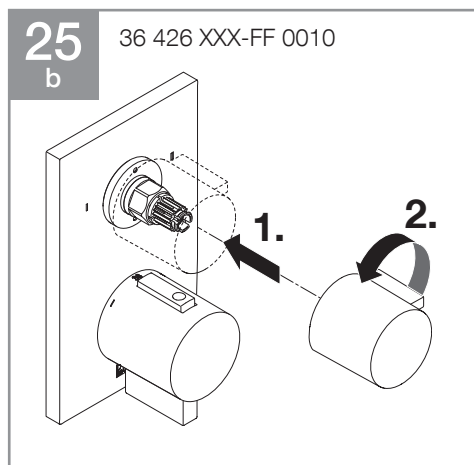
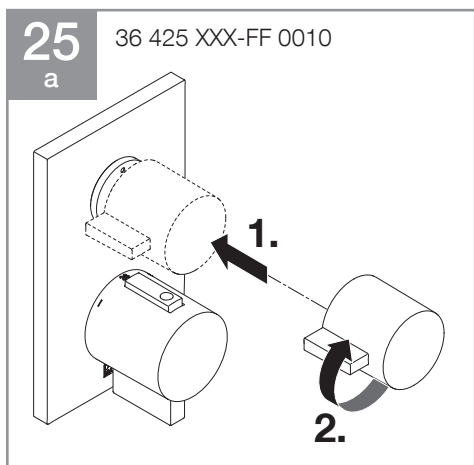
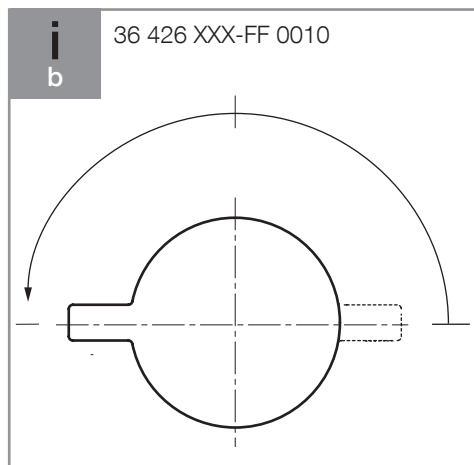
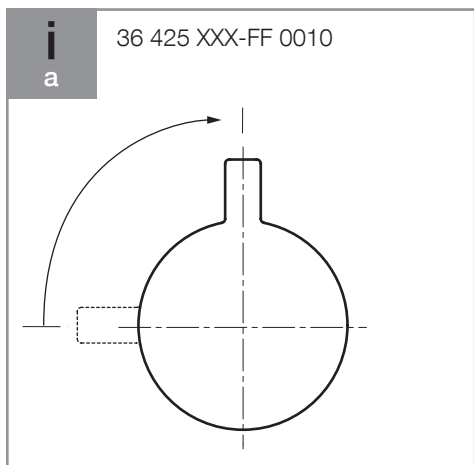
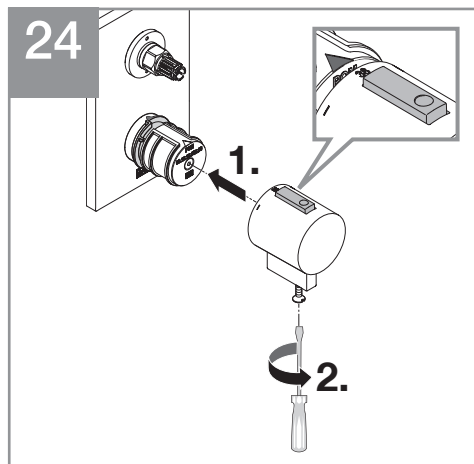
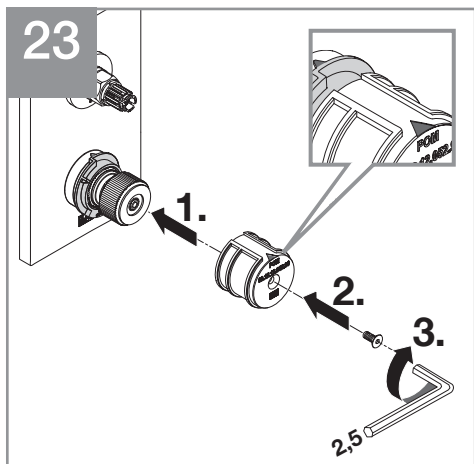


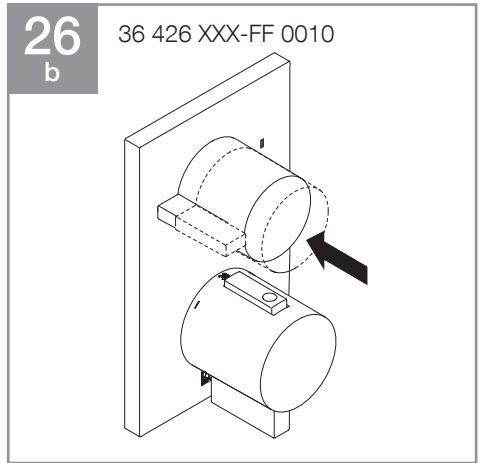
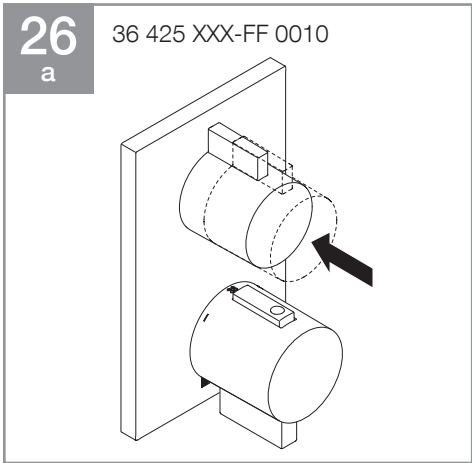
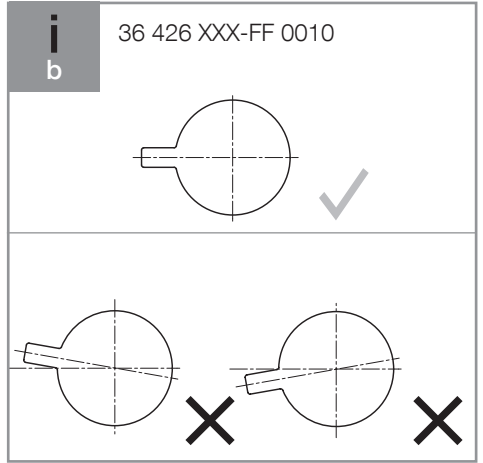
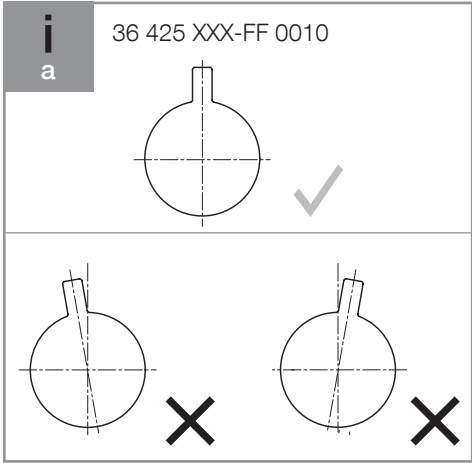






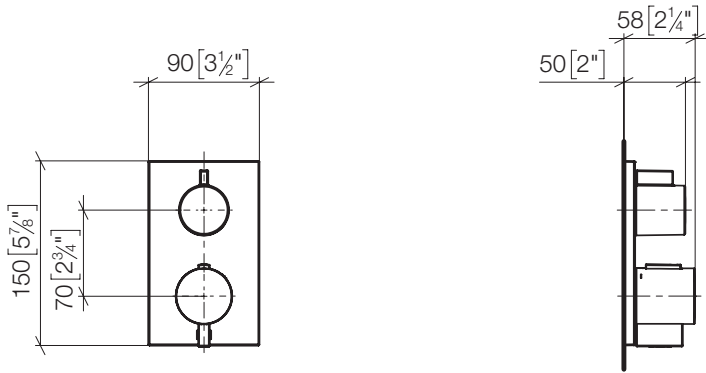






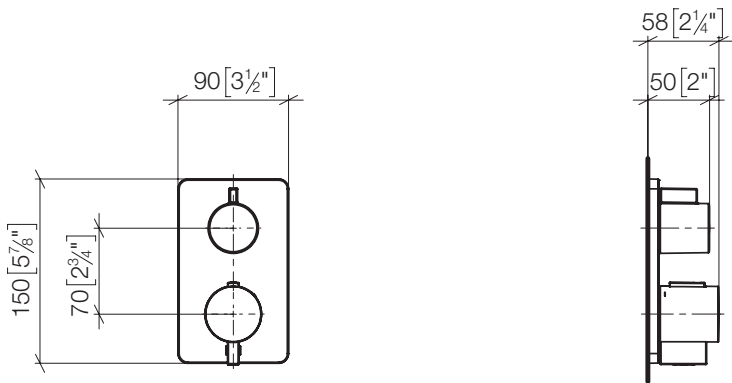
36 425 670-FF 0010

mm [inches]



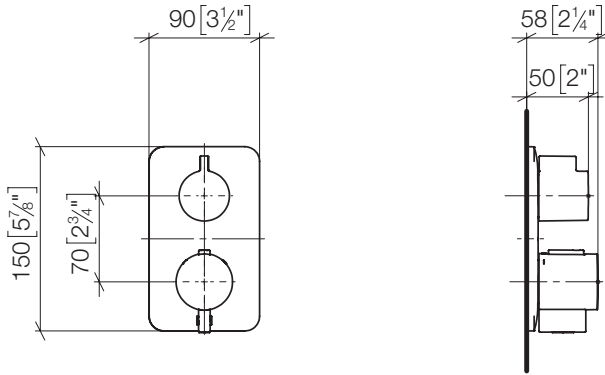
36 425 710-FF 0010

mm [inches]



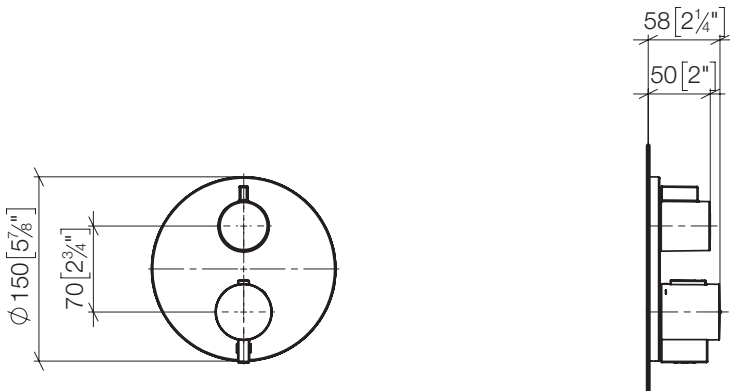
36 425 845-FF 0010

mm [inches]



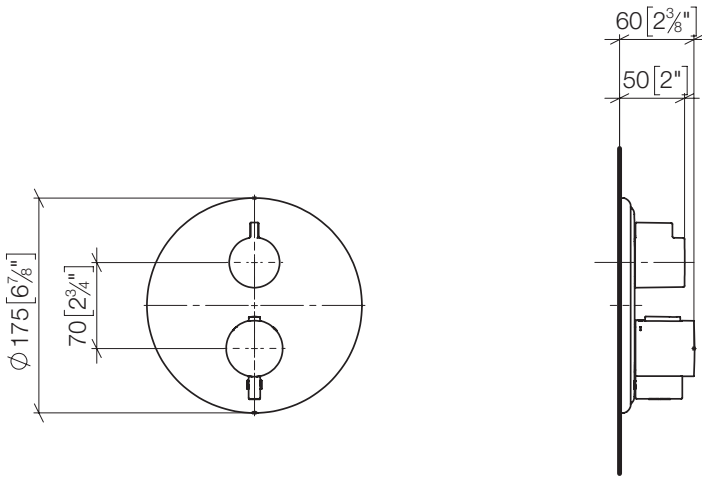
36 425 970-FF 0010

mm [inches]



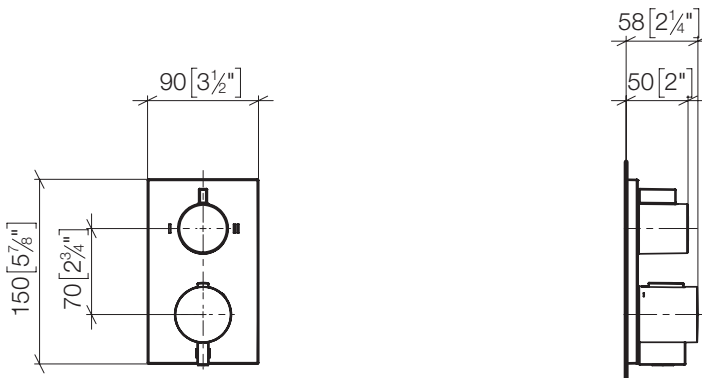
36 425 977-FF 0010

mm [inches]



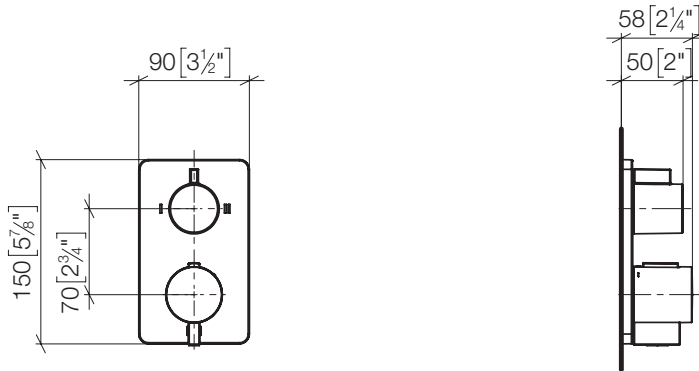
36 426 670-FF 0010

mm [inches]



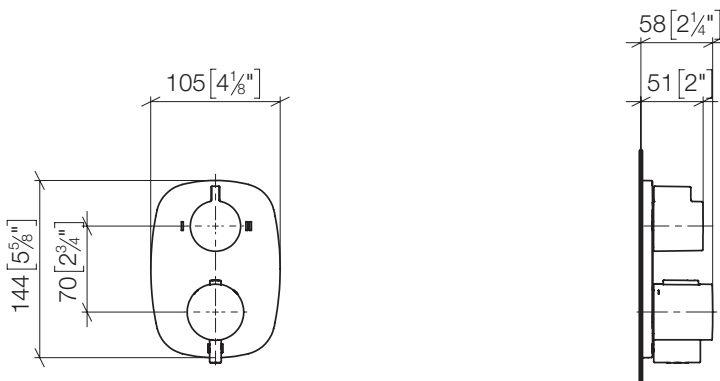
36 426 710-FF 0010

mm [inches]



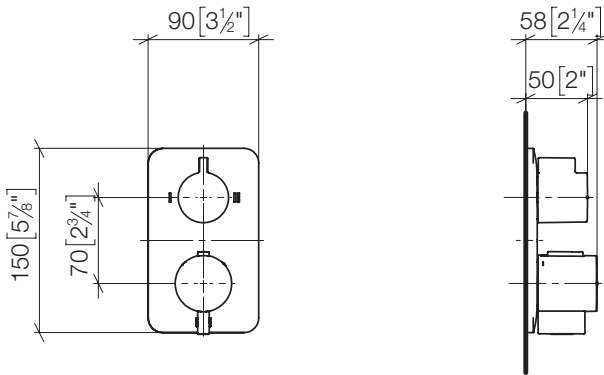
36 426 720-FF 0010

mm [inches]



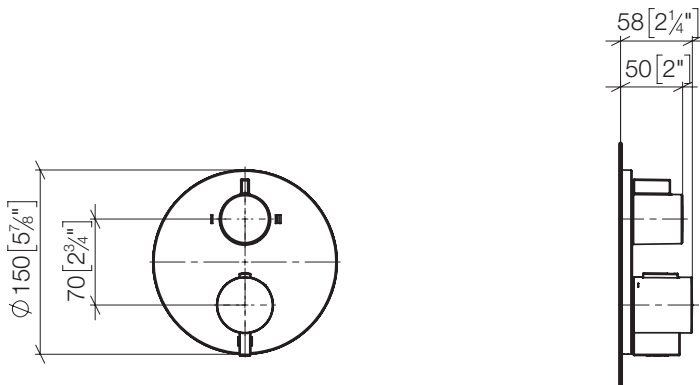
36 426 845-FF 0010

mm [inches]



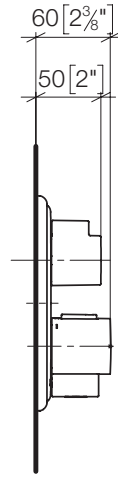
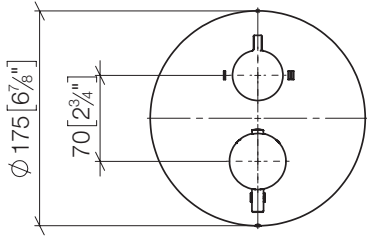
36 426 970-FF 0010

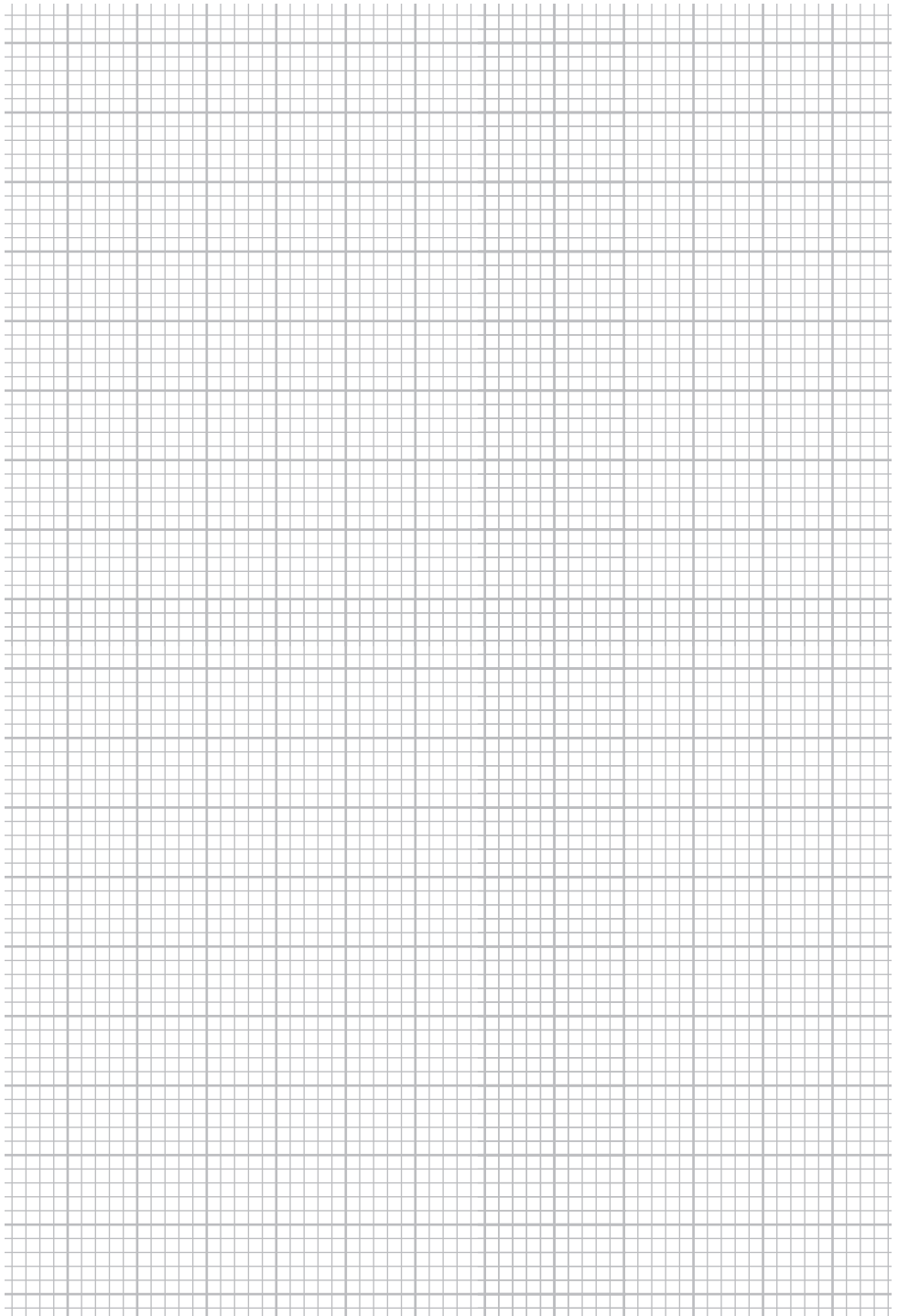
mm [inches]

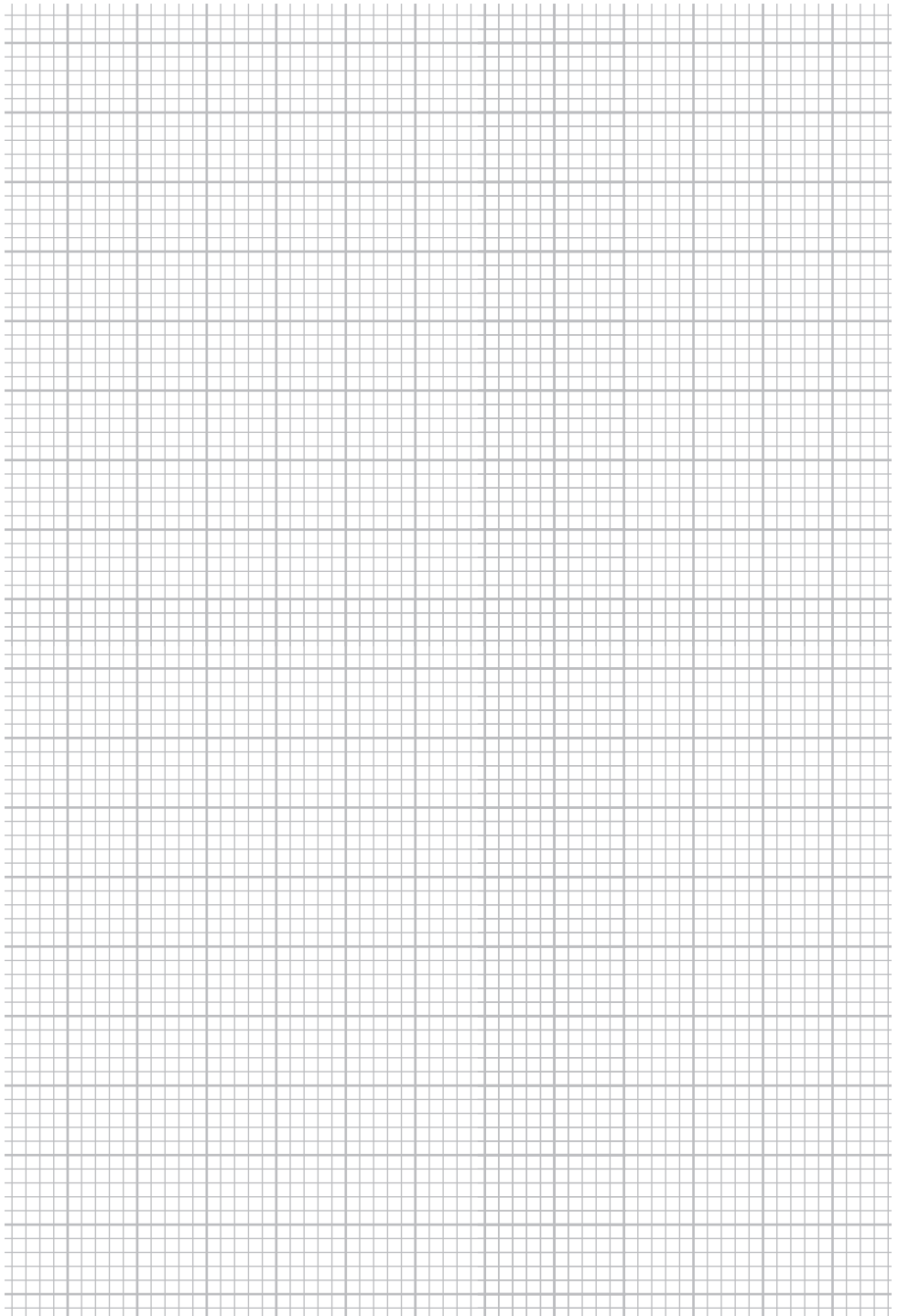


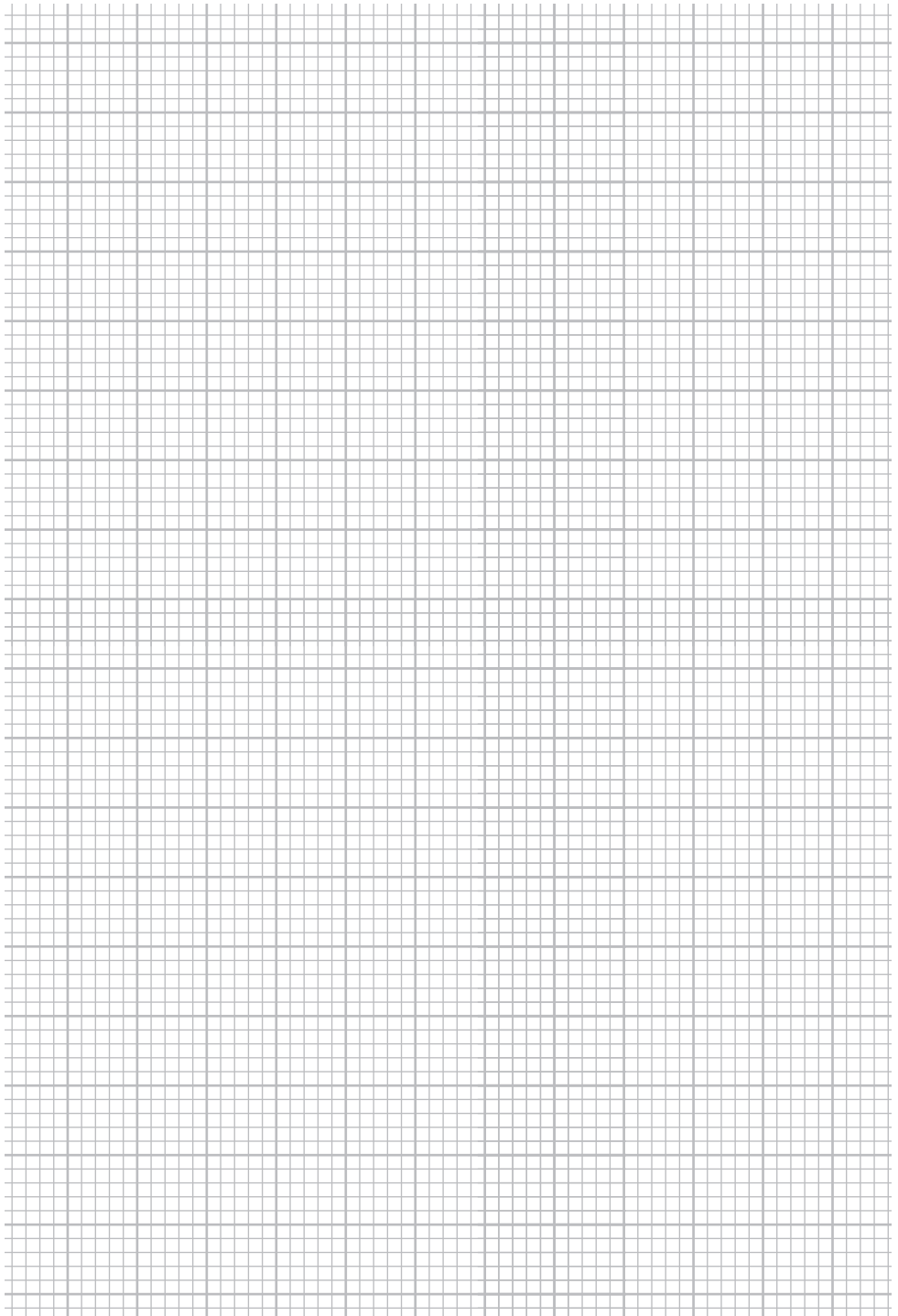
36 426 977-FF 0010

mm [inches]









Operating conditions

Cold water temperature range	41 - 77 °F
Hot water temperature range	131 - 149 °F
Recommended flow temperature	140 °F
Thermal disinfection (3 - 10 Min.)	≤ 194 °F
Minimum flow pressure	15 psi
Maximum flow pressure	73 psi
Recommended flow pressure	45 psi

In order for the noise levels to comply with the national requirements, a pressure reducer must be installed in the supply line at a static pressure above 5 bar / 73 psi.

The thermostat meets the requirements according to EN 1111.

Dornbracht AG & Co. KG
Köbbingser Mühle 6, D-58640 Iserlohn
Tel. +49(0)2371433-0, Fax +49(0)2371433-232
mail@dornbracht.de, dornbracht.com



01 03 12 670 00 / 04.2021