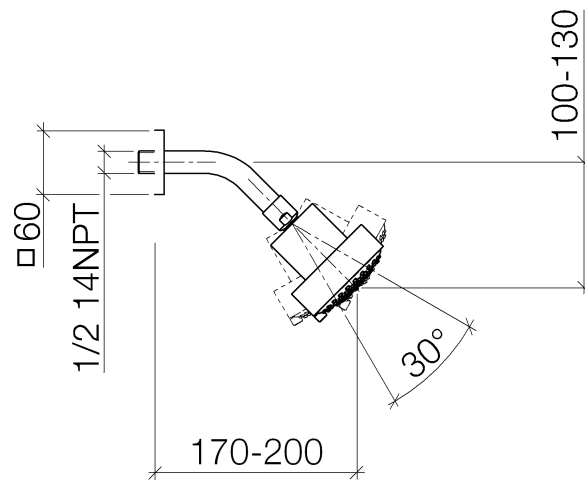




Product specifications

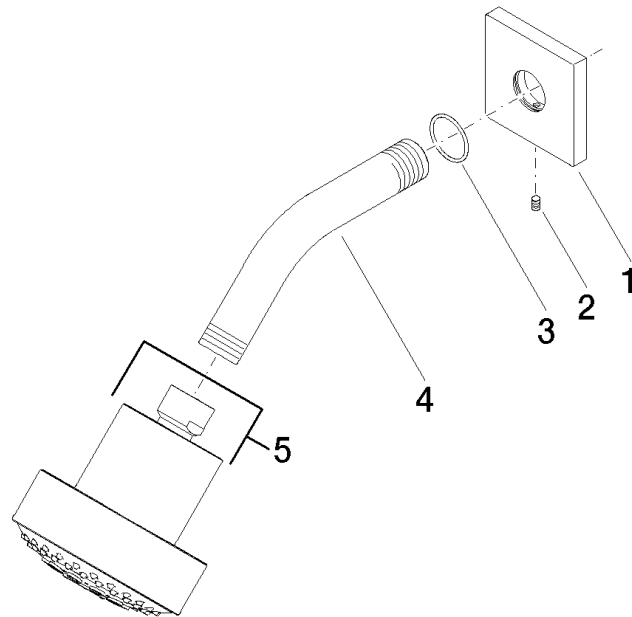
- **7-7/8" Projection**
- Ball-joint pivotable through 30°
- 3 individual sprays (standard, soft, massage)
- Descaling system
- Ø 3-5/8"
- Flange 2-3/8" x 2-3/8"
- 1/2" connection
- Water flow rate limited to max. 2 gpm



Surfaces

- chrome 28508980-000010
- matt platinum 28508980-060010

Exploded assembly drawing





Order quantity

No.	Article number	Name	Installation quantity
1	092798003ff	rosette	1
2	09311104890	pin	1
3	09141009890	seal	1
4	091103011ff	connection	1
5	04121111000ff	shower	1

Flow rate chart

