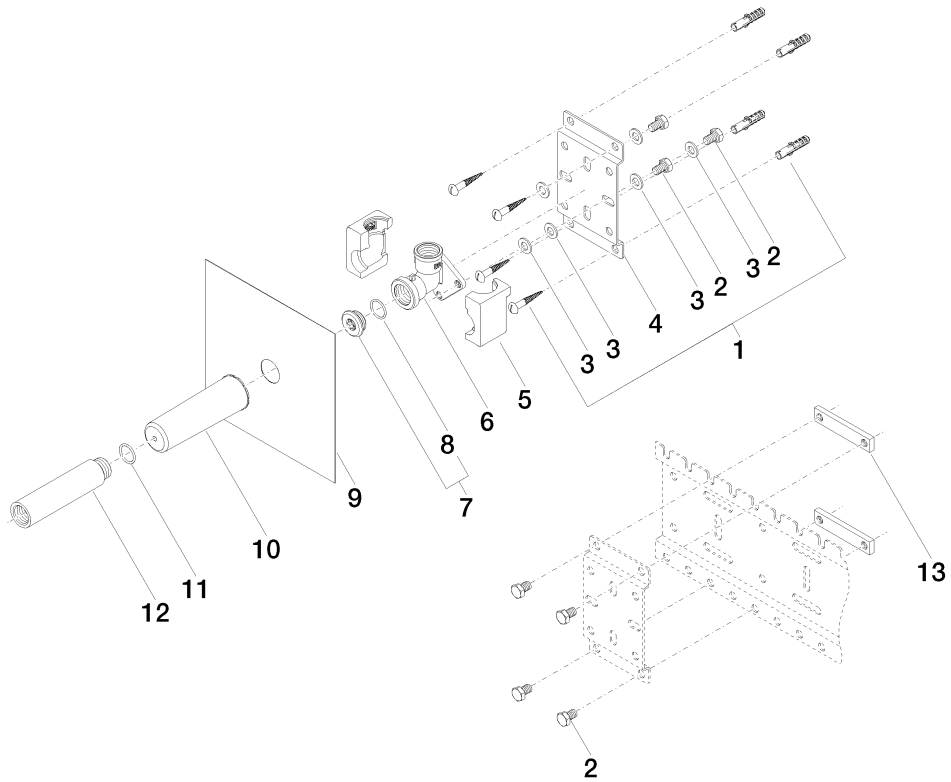


	min	max
CL.1	90	163
Deque	90	163
Domicil	90	163
Gentle	90	163
IMO	90	163
Lissé	90	163
MEM	90	163
Symetrics	90	163
Vaia	90	163

**Exploded assembly drawing**



**Order quantity**

<b>No.</b>	<b>Article number</b>	<b>Name</b>	<b>Installation quantity</b>
<b>1</b>	0430310240190	fixing set	2
<b>2</b>	09303015290	screw	7
<b>3</b>	09301113990	disc	6
<b>4</b>	09172009490	holder	1
<b>5</b>	09111103690	accessories	1
<b>6</b>	0911030421090	connection	1
<b>7</b>	0431200060090	plug	1
<b>8</b>	09141005390	seal	1
<b>9</b>	0414030720090	gasket kit	1
<b>10</b>	09210210290	cap	1
<b>11</b>	09141001090	seal	1
<b>12</b>	0924031691090	adaptor	1
<b>13</b>	09172010090	holder	2