

### PRODUCT SPECIFICATIONS

Dayton Stainless Steel 31-3/4" x 20-1/2" x 10", Offset Double Bowl Undermount Sink. Sink is manufactured from 18 gauge 300 series Stainless Steel with a Soft Satin finish, Center drain placement, and Bottom only pads.

<b>Installation Type:</b>	Undermount
<b>Material:</b>	300 series Stainless Steel
<b>Finish:</b>	Soft Satin
<b>Gauge:</b>	18
<b>Sound Deadening:</b>	Bottom only pads
<b>Number of Bowls:</b>	2
<b>Sink Dimensions:</b>	31-3/4" x 20-1/2" x 10"
<b>Bowl 1 Dimensions:</b>	14" x 15-3/4" x 8"
<b>Bowl 2 Dimensions:</b>	13-1/2" x 18" x 10"
<b>Drain Size:</b>	3-1/2" (89mm)
<b>Drain Location:</b>	Center
<b>Minimum Cabinet Size:</b>	36"
<b>Mounting Hardware:</b>	Undermount brackets sold separately
<b>Cutout Template #:</b>	<a href="#">1000001478</a>

Template is available for download at [elkay.com](#)

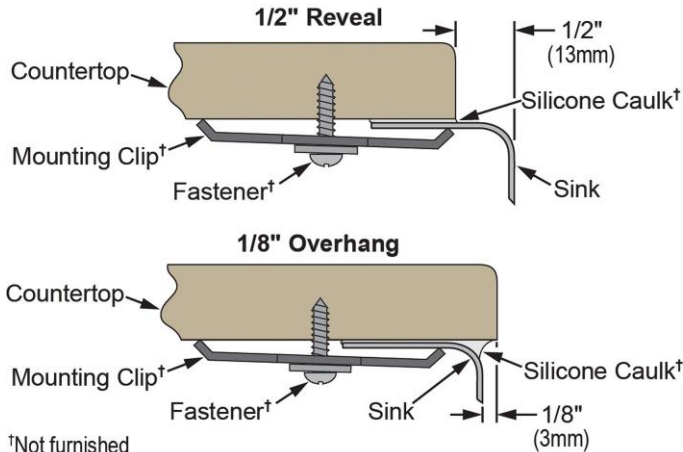


**AMERICAN PRIDE. A LIFETIME TRADITION.**  
Like your family, the Elkay family has values and traditions that endure. For almost a century, Elkay has been a family-owned and operated company, providing thousands of jobs that support our families and communities.



**Product Compliance:** ASME A112.19.3/CSA B45.4  
BUY AMERICAN ACT

### Installation Profile:

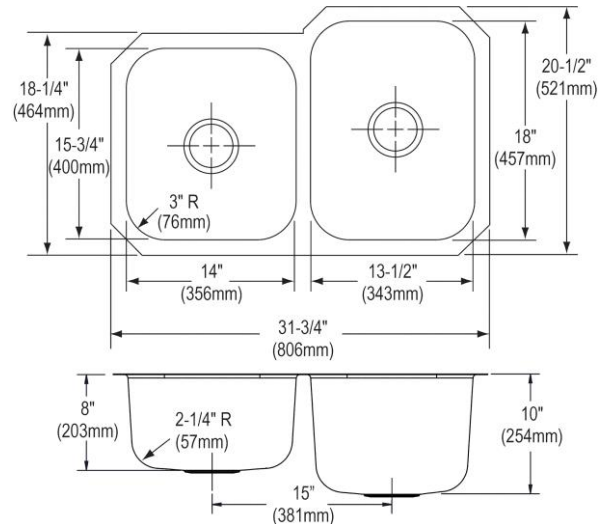


<sup>†</sup>Not furnished

Designed to affix to the underside of any solid surface countertop.

Sinks are listed by IAPMO<sup>®</sup> as meeting the applicable requirements of the Uniform Plumbing Code<sup>®</sup>, International Plumbing Code<sup>®</sup>, and c<sup>®</sup> National Plumbing Code of Canada.

[Clean and Care Manual \(PDF\)](#)  
[Installation Instructions \(PDF\)](#)  
[Limited Lifetime Warranty \(PDF\)](#)



PART: \_\_\_\_\_ QTY: \_\_\_\_\_

PROJECT: \_\_\_\_\_

CONTACT: \_\_\_\_\_

DATE: \_\_\_\_\_

NOTES: \_\_\_\_\_

APPROVAL: \_\_\_\_\_

In keeping with our policy of continuing product improvement, Elkay reserves the right to change product specifications without notice. Please visit [elkay.com](#) for the most current version of Elkay product specification sheets. This specification describes an Elkay product with design, quality, and functional benefits to the user. When making a comparison of other producers' offerings, be certain these features are not overlooked.

**OPTIONAL ACCESSORIES**

<b>Bottom Grid:</b>	GBG1318SS (large bowl), GBG1415SS (small bowl)
<b>Drain:</b>	D1125
<b>Hardware:</b>	LKUCLIP8 (2 Required)
<b>Sinkmate:</b>	LKSMHSL

*In keeping with our policy of continuing product improvement, Elkay reserves the right to change product specifications without notice. Please visit [elkay.com](http://elkay.com) for the most current version of Elkay product specification sheets. This specification describes an Elkay product with design, quality, and functional benefits to the user. When making a comparison of other producers' offerings, be certain these features are not overlooked.*