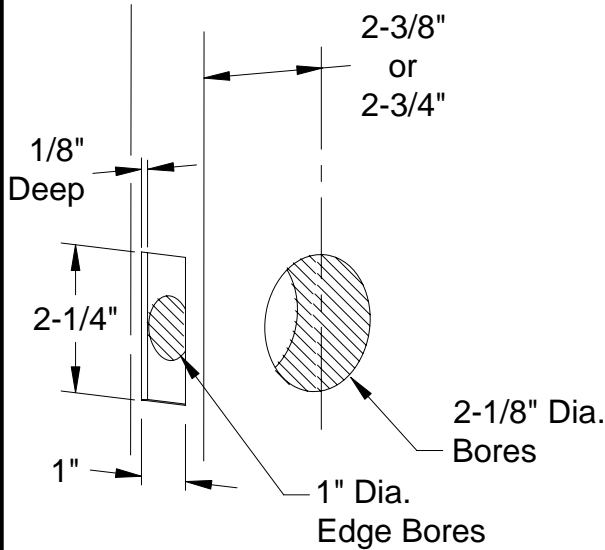
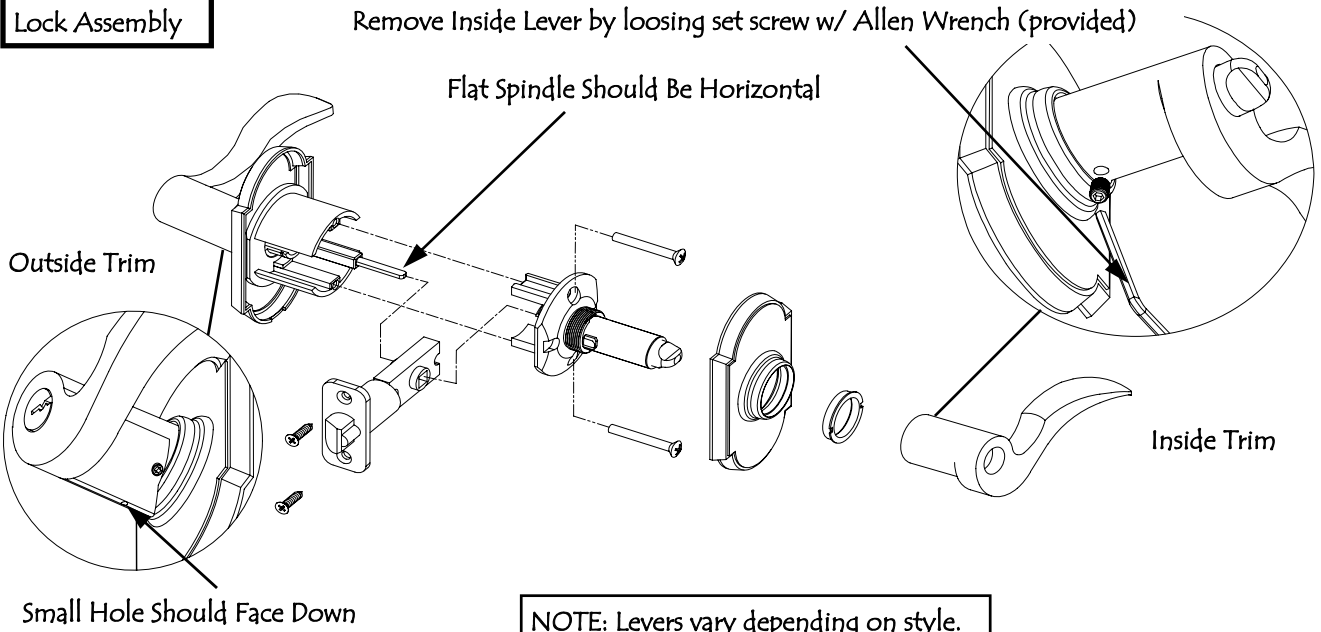


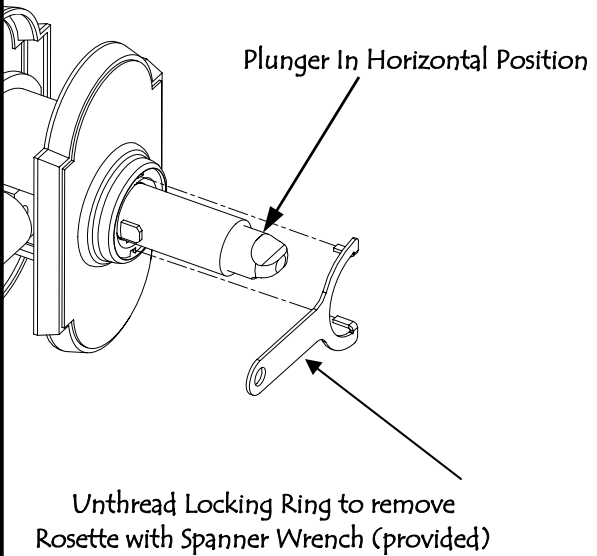
Door Prep



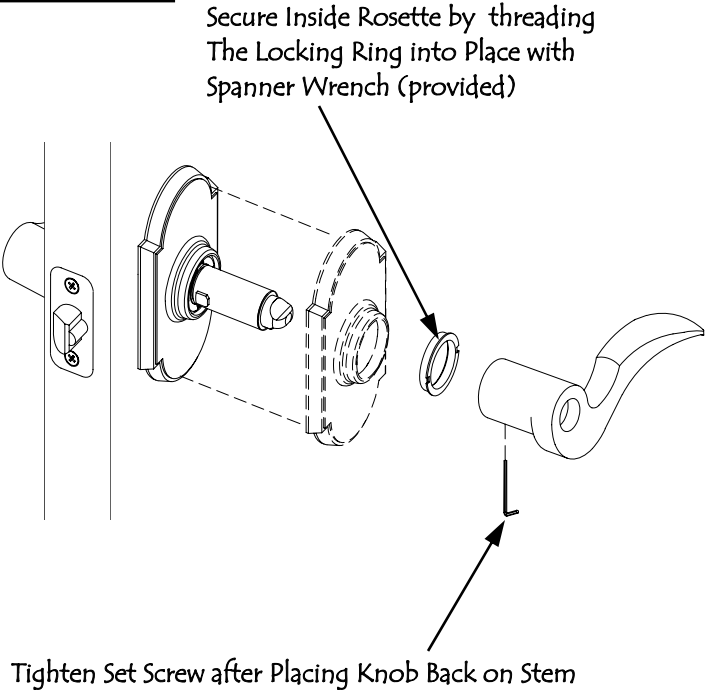
Lock Assembly



Remove Rosette



Inside Trim



Re-Pinning Cylinder

