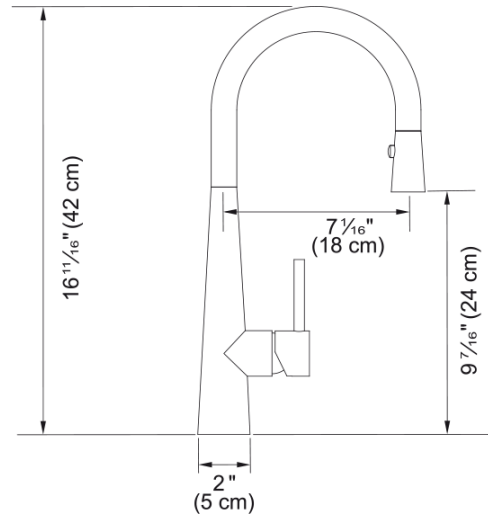


Steel Prep Faucet - STL-PR-IBK | 115.0619.307



Technical Data

Aspect

Spout type	J - spout
Color	Industrial black
Type of material	Stainless steel 304
Flexible pullout hose material	Nylon grey
Spray head material	Stainless steel

Product Dimensions

Faucet hole diameter	35 mm
Cartridge dimension	35 mm

Installation

Mounting type	Shank
Water supply hose connection	1/2"
Water supply hose length	800 mm

Product specifications

Pressure	High pressure
Faucet type	Spray
Faucet operation	Side lever
Faucet rotation	360°

Product identification

Product brand	FRANKE
Product family	Mythos
Collection	Steel

Features

Water saving feature	No
Type of aerator	Honeycomb