
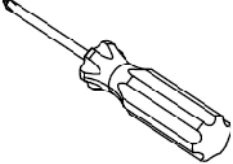









ITEMS INCLUDED		TOOLS REQUIRED	
WIRE NUT		X 2	PHILLIPS SCREW DRIVER 
# 6 SCREW		X 2	
#8 SCREW		X 2	
MOUNTING BRACKET		X 1	
M6 X 10 SET SCREW		X 1	
3 MM HEX KEY		X 1	
LIGHT		X 1	
18 W CFL BULB 4 PIN(G24Q-2) BASE		X 1	

CINU

INSTALLATION INSTRUCTIONS

4781

LIGHT

GINGER
Luxury For Your Lifestyle™

2001 CARNEGIE AVE, SANTA ANA CA 92705

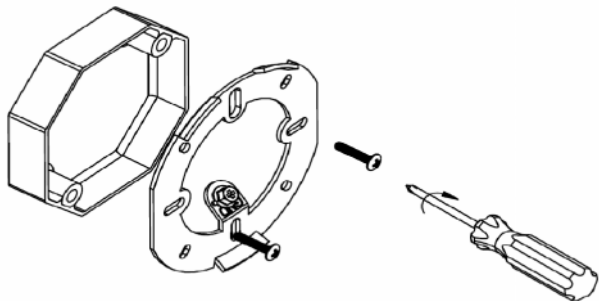
(949) 417-5207

WWW.GINGERCO.COM

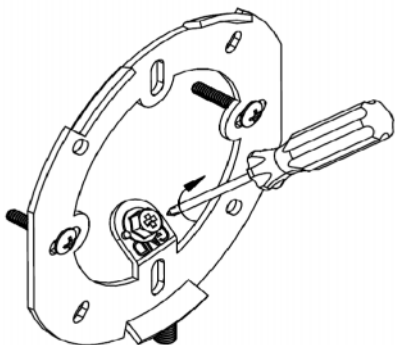
CAUTION: DISCONNECT POWER

Always shut off power when installing or repairing this, or any other electrical appliance. FAILURE TO DO SO MAY RESULT IN SEVERE INJURY OR DEATH Installation by a licensed electrical contractor recommended.

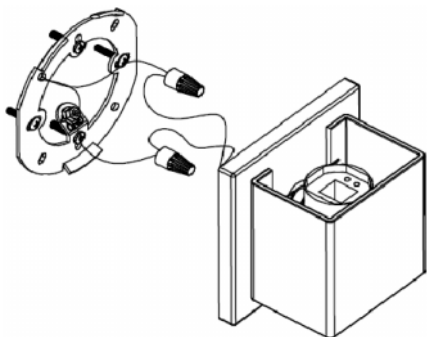
- ① MOUNT CROSSBAR TO ELECTRICAL BOX (NOT INCLUDED) USING #6 OR #8 SCREWS.



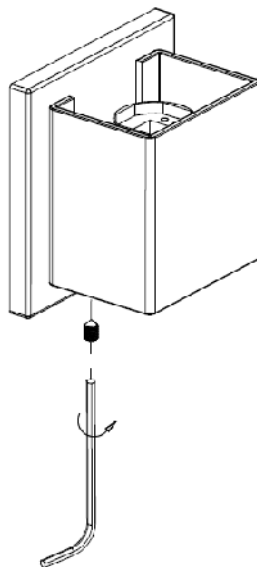
- ② CONNECT GROUND WIRE



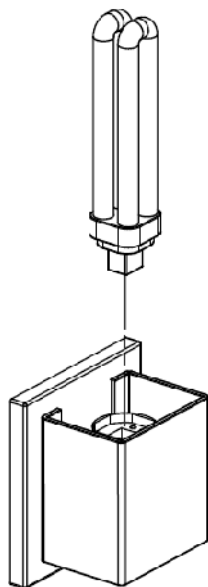
- ③ CONNECT WHITE WIRE TO WHITE WIRE WITH WIRE NUT. CONNECT BLACK WIRE TO BLACK WIRE WITH WIRE NUT.



- ④ TIGHTEN SET SCREW



- ⑤ INSTALL BULB



- ⑥ ATTACH SHADE SO IT IS SECURED BY CLIP IN THE BASE

