

# VANITY INSTALLATION & CARE GUIDE

For **FREE** installation guidance,  
please call Icera Customer Service at  
855-444-2372 while your  
plumbing professional is on-site.

**Icera | St. Thomas Creations 1-Year Warranty**

Icera, LLC warrants its products to be free from defects in material or workmanship for 1 year from the date of purchase by the original purchaser. Icera, LLC at their choice, may elect to repair or replace any Icera product covered by this warranty. Proof of purchase is required.

This warranty does not apply where items have been improperly stored or improperly installed. This warranty does not cover the following: costs of removing warranted material or the installation of replacement material, natural variations and aging inherent in wood, normal wear and tear or damage/defects caused by mis-use, physical or chemical abuse, improper maintenance, use of caustic grout or caulking during install, negligence or modification in any way.

Icera, LLC reserves the right to inspect claimed defective products. No returns, replacements or repairs may be made without prior written consent. Some replacement parts may vary from those originally supplied and are subject to availability.

This warranty is the sole warranty of Icera, LLC and in lieu of all other warranties, express implied, including any implied warranty of merchantability and fitness for a particular use. Labor charges for removal of or installation of warranted material as well as incidental or consequential damages are excluded. We do not assume any other liability in relation to the sale of our product.

**Door Considerations:**

The purchaser agrees to let doors that are warped 1/4" or less to hang for 2 months before replacement is requested. Typically, a door will return to its normal flat position once it is acclimated to temperature and humidity conditions. Prior to requesting a replacement for a warped door, please be sure the door has been installed properly by adjusting the hinges per enclosed instructions.

**Wood Characteristics:**

Wood is a beautifully natural material. The figuring (grain) of each piece is unique to every vanity produced. Every vanity will contain a different figure, birdseye knots and heartwood streaks. These are not considered defects, but beautifully unique character. There will also be a natural aging of every wood species over time which changes the overall color of the vanity. In most instances, this will be a darkening of dark woods and a yellowing of light woods. Direct sunlight will hasten this effect. Given this natural beauty, no two vanities will ever match in figure or color (if stained or clear-coated) and warranty replacement doors and drawers will not match the existing surrounding wood figure or color.

**Painted Material Characteristics:**

The face frame, box, doors and drawer fronts of our painted line of vanities are made of solid wood components that have been assembled and then finished with a durable enamel finish. Since solid wood naturally expands and contracts, the joints on a painted vanity do the same, as a result, you may see hairline cracks in the finish surface at box, door and drawer joints. These joint lines are normal and do not affect the strength of the construction. These cracks can be filled and finished periodically with commercially available products although may return with repeated expansion and contraction. These cracks are not considered defects in solid wood cabinetry.

**Stone Characteristics:**

As with wood, stone products will have naturally occurring characteristics such as variation in grain, color, and mineral streaks. Due to this natural beauty, new and/or replacement pieces may not match display samples and/or existing pieces.

**TABLE OF CONTENTS**

**PRODUCT WARRANTY..... 1**

**TOOLS AND MATERIALS..... 1**

**BEFORE YOU BEGIN..... 1**

**PREPARATION..... 2**

**SECURING THE VANITY..... 3**

**ADJUSTING THE DOORS..... 4**

**REMOVING THE DOORS..... 5**

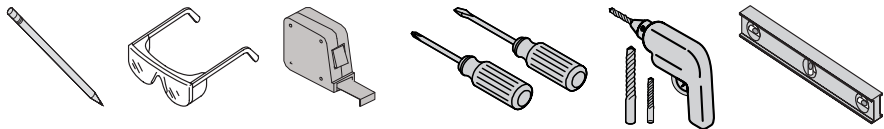
**REMOVING THE DRAWERS..... 6**

**STONE TOP INSTALLATION..... 7**

**LAVATORY TOP INSTALLATION..... 9**

**CARE AND CLEANING..... 10**

## TOOLS AND MATERIALS



- PLUS:**
- 5/16" Lag bolts and washers (Min 250lb (113.4kg) load-bearing) (not included)
  - Socket wrench (not included)

## BEFORE YOU BEGIN



**CAUTION: Risk of property damage.** Do not modify the vanity. Doing so will compromise structural stability.



**CAUTION: Risk of injury or property damage.** Select 250 lb (113.4kg) load-bearing 5/16" lag bolts with a length to clear obstacles in the wall and 5/16" washers. Calculate proper lag bolt length by adding the following: 1-1/2" (38mm) backing material + wallboard thickness + back rail thickness.

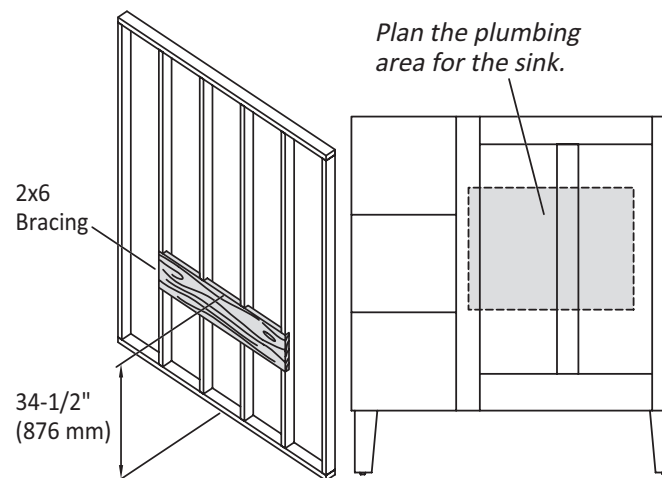
**NOTICE:** Acrylic caulk must be used to secure a sink or countertop to the vanity. Do not use 100% silicone sealant which will damage the finish of the vanity.

**NOTICE: Risk of property damage.** When moving the vanity, do not slide or side-load the legs.

**NOTICE:** Any electrical accessory components must be connected to a circuit protected by a Ground-Fault Circuit-Interrupter (GFCI) or Residential Current Device (RCD). Follow all local electrical codes.

- Observe all local building codes.
- The appearance of your vanity may differ from the illustrations in this guide. The instructions still apply.
- Secure the vanity to stud framing. When possible, provide 2x6 bracing behind the finished wall for additional support.
- To ease installation, remove drawers from the vanity before beginning. Refer to the section in this guide for proper removal.

## 1. PREPARATION



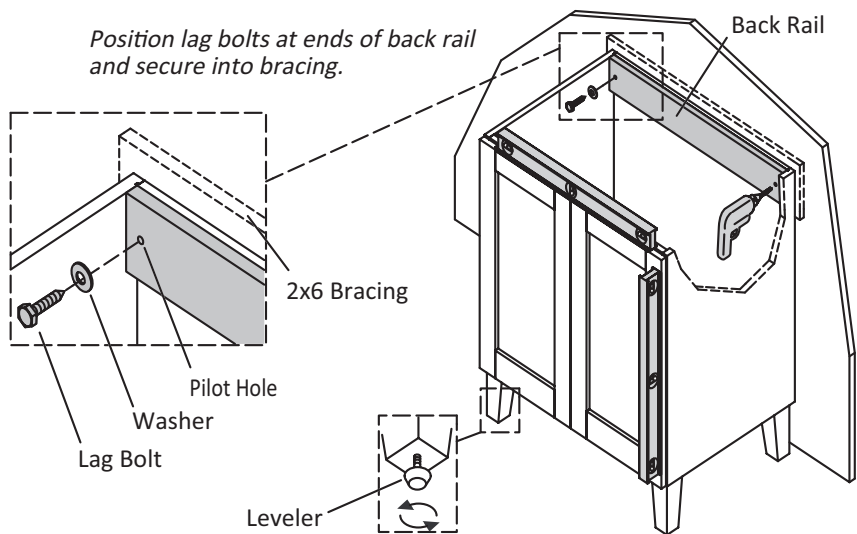
**CAUTION: Risk of injury or property damage.** To properly support the weight of the vanity and sink, secure to stud framing or 2x6 bracing behind the finished wall.

- If installing 2x6 bracing, front-notch the studs 1-1/2" (38mm) to ensure the bracing sits flush against the studs. The bracing should span the length of the vanity.
- Plan for routing supply and drain piping for your desired sink installation.
- Plan for electrical service if installing electrical devices. Any electrical accessory components must be connected to a circuit protected by a Ground-Fault Circuit-Interrupter (GFCI) or Residual Current Device (RCD).

**NOTICE: To ensure proper support and alignment:** The finished wall must be straight and plumb. The floor must be flat and perpendicular to the wall.

- Complete the finished wall.

## 2. SECURE THE VANITY

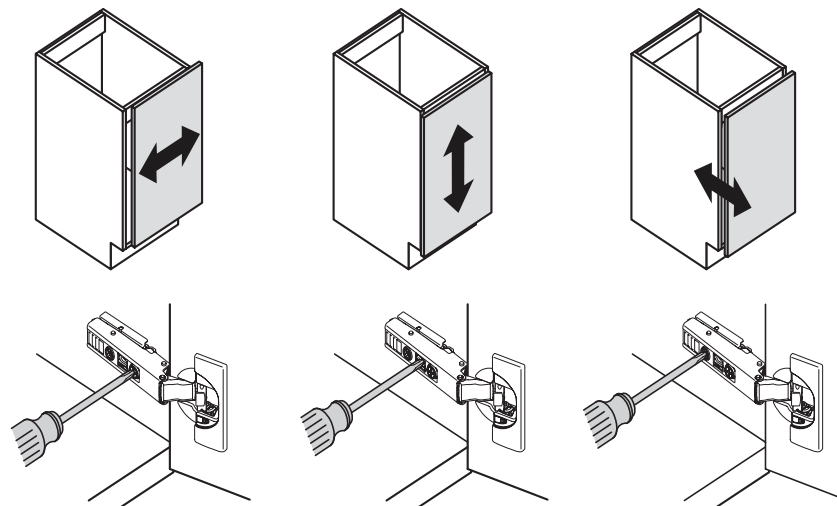


**CAUTION: Risk of injury or property damage.** Select 250 lb (113.4kg) load-bearing 5/16" lag bolts with a length to clear obstacles in the wall and 5/16" washers. Calculate proper lag bolt length by adding the following: 1-1/2" (38mm) backing material + wallboard thickness + back rail thickness.

**CAUTION: Risk of product damage.** Drill the lag bolt pilot holes in the ends of the back rail to provide maximum support and prevent flexing of the unit.

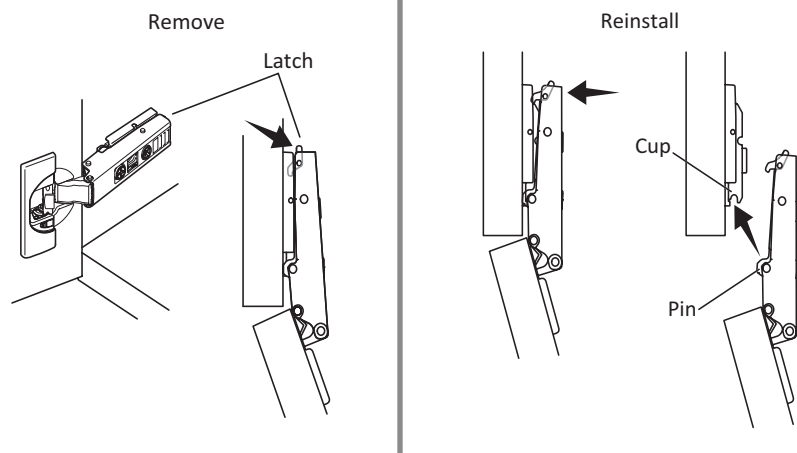
- With assistance, lift and place the vanity in position against the finished wall. Do not drag vanity into position.
- Verify the vanity is level and plumb against the wall. If necessary, turn the leveler(s) to adjust the unit.
- Using a 1/4" drill bit, drill two pilot holes through the ends of the back rail and the finished wall. Verify the pilot holes are positioned in the back rail ends and ensure that the lag bolts will engage the 2x6 backing material or any studs.
- Secure the vanity to the wall with two 5/16" lag bolts and washers (not provided).
- Install accessories (shelves, drawers, other) as desired. Refer to the section in this guide for proper installation.

## 3. ADJUST THE DOORS



- Screw cover may need to be removed for access (not shown). Push tab at back of assemble to release the cover lock.
- The hinges can be adjusted for proper door functionality and alignment.
- Refer to the illustration and note the screwdriver location for desired adjustment.

## 4. REMOVE THE DOORS



### REMOVAL

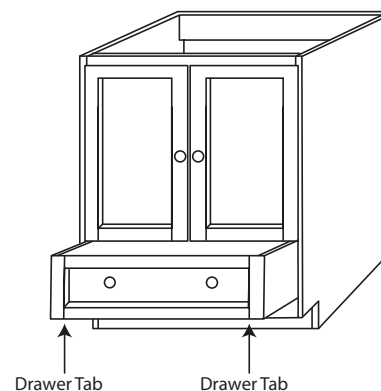
- With one hand, support the door in the open position.
- Starting with the bottom hinge, press the latch at the end of the hinge to release it from the bracket.
- Repeat for upper hinge.
- Move the door forward to slide the hinges off the brackets.

### REINSTALLATION

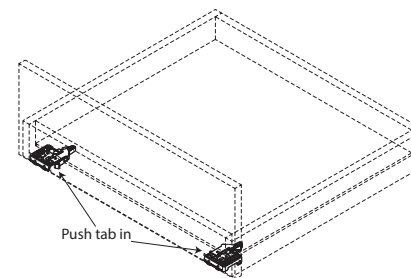
- With one hand, support the door in the open position.
- Starting with the top bracket, align the hinge pin with the cup of the bracket.
- Press the back of the hinge to snap the latch onto the bracket.
- Repeat for lower hinge.
- Open and close the door to ensure proper operation.

## 5. REMOVE/REINSTALL THE DRAWERS

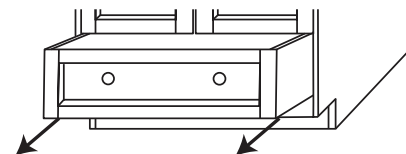
1. Pull out the drawer and feel underneath to locate the tabs on each side towards the front of the drawer.



2. Push the tabs towards the edge of the drawer to release the rail-locking mechanism.



3. Pull drawer forward until it is fully removed from the drawer alcove.

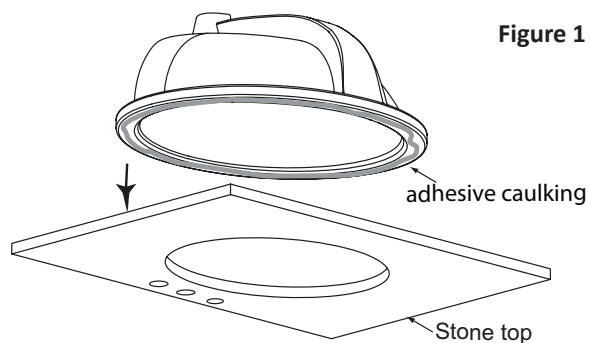


4. To reinstall the drawers, simply align the drawer with the rail and push until you hear the rail-locking mechanism catch.

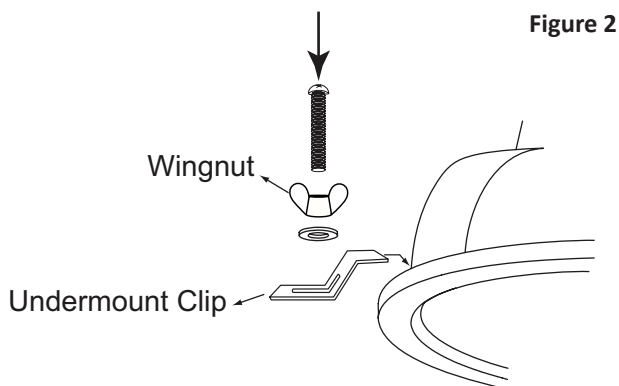
## 6. STONE TOP INSTALLATION

### STONE TOP INSTALLATION (not applicable to all models)

1. Carefully and evenly lay stone top on even surface, top-side down. **Always have two people handle the stone top when moving. WARNING: Uneven handling may cause the stone to snap.** Apply a small amount of clear acrylic adhesive caulking around the topside of the lavatory rim near the edge. Carefully flip and lower the sink onto the stone top, align, and press firmly. See Figure 1 to the right.

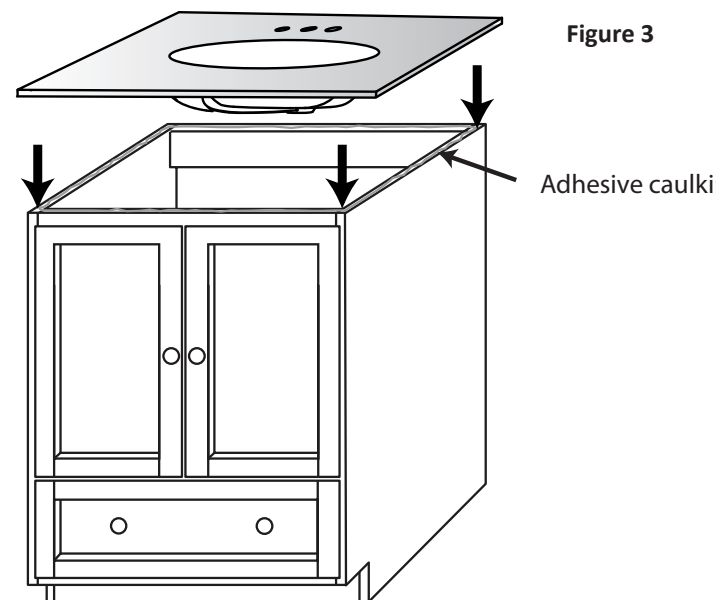


2. Attach four undermount clips and wingnuts to hold the lavatory in place as shown in the Figure 2 to the right. Tighten wingnuts to secure the lavatory.



3. Allow for caulking drying/curing time. See caulking instructions for details.

4. Carefully flip stone top and lavatory over and secure top to cabinet by using adhesive caulking as shown in Figure 3 to the right. **Always have two people handle the stone top when moving. WARNING: Uneven handling may cause the stone to snap.**

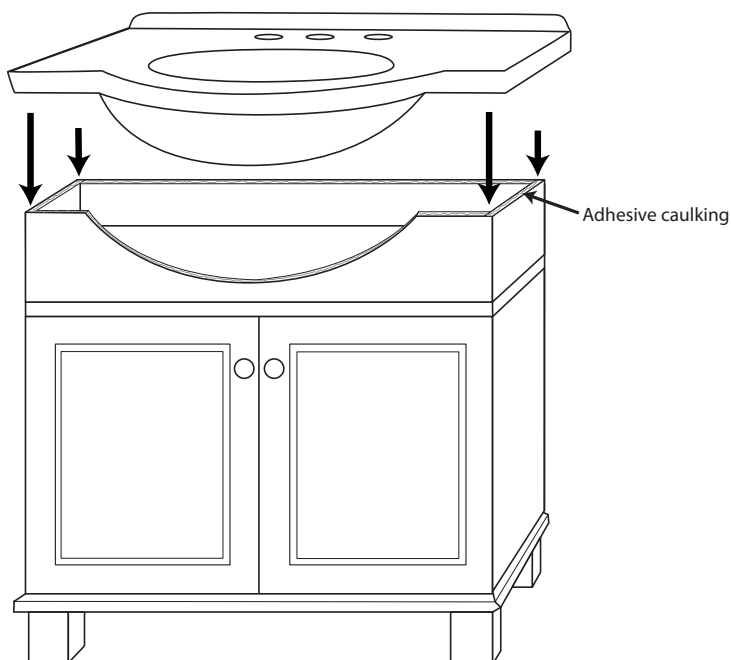


5. Affix backsplash with more caulking, if applicable.

## 7. LAVATORY TOP INSTALLATION

### LAVATORY TOP INSTALLATION (not applicable to all models)

1. Apply adhesive caulking as seen in the image below. Carefully and evenly lower lavatory top onto vanity as shown in the image below.



## CARE AND CLEANING

For best results, keep the following in mind when caring for your **ICERA | ST. THOMAS CREATIONS** product:

- Blot spills immediately with a soft, damp cloth.
- Test cleaners in a discrete location first, such as the inside of a door, to ensure that there is no adverse reaction.
- Do not expose wood furniture to direct sunlight, drying heat, or excessive moisture.
- Protect wood surfaces by using felt, leather or cork under accessories. Never slide objects across wood surfaces.
- Dust frequently with a soft cloth in the direction of the grain.
- Use only products specifically made for cleaning wood. Avoid using oily polishes or waxes, or product containing silicone.
- Every six months, remove soil buildup by rubbing with a soft cloth dampened in a 50/50 solution of warm water and an ammonia-free detergent. Wipe clean with a cloth dampened in warm water. Wipe dry.

Call **Icera | St. Thomas Creations** Customer Service department at 1-855-444-2372 with any questions or concerns regarding proper maintenance.

---

ICERA | ST. THOMAS CREATIONS  
14520 DELTA LANE  
HUNTINGTON BEACH, CA 92647

P: 855-444-2372

F: 855-447-0344

[service@icerausa.com](mailto:service@icerausa.com)

[www.icerausa.com](http://www.icerausa.com)

