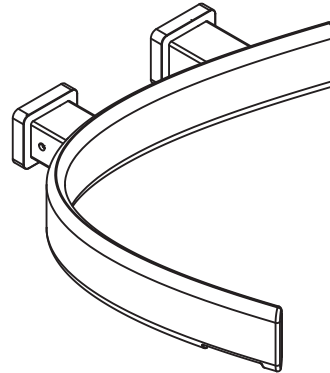


CU.2300L Wall Mount Spout



NOTICE TO HOMEOWNER

- We recommend that this product is installed by a qualified professional plumber.
- Please check this product immediately to ensure that it has not been damaged and is complete. Before installation, please make sure this product is the correct model and you have all the parts required for installation and use.
- Please flush the water system to ensure that no metal swarf, solder, and other impurities can enter the product.
- Turn off water supply before commencing work.
- Please read these instructions carefully and retain for future reference.

WATER TEMPERATURE



This product is to be used with water at a temperature range of 40°F - 120°F ONLY!

WATER PRESSURE

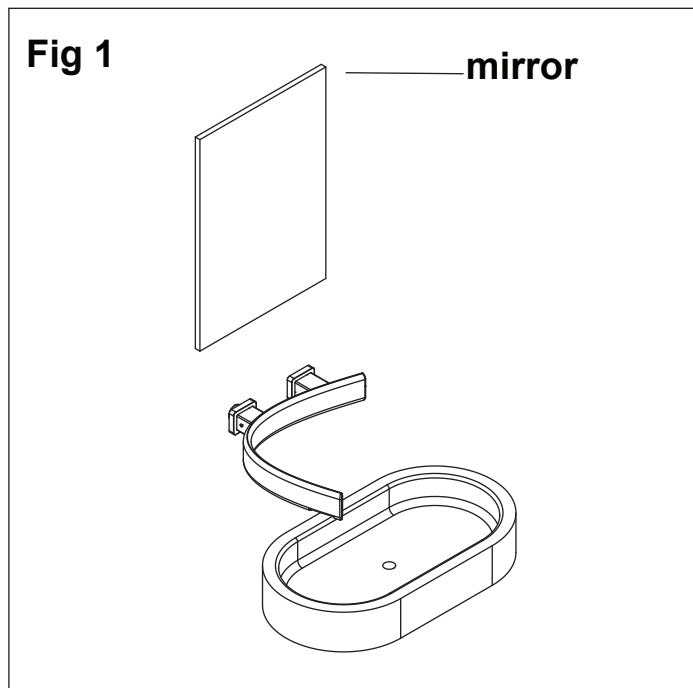


This product is to be used with a water pressure range of 15 PSI to 80 PSI ONLY

If water pressure is greater than 80 PSI install a pressure reducing valve (PRV)

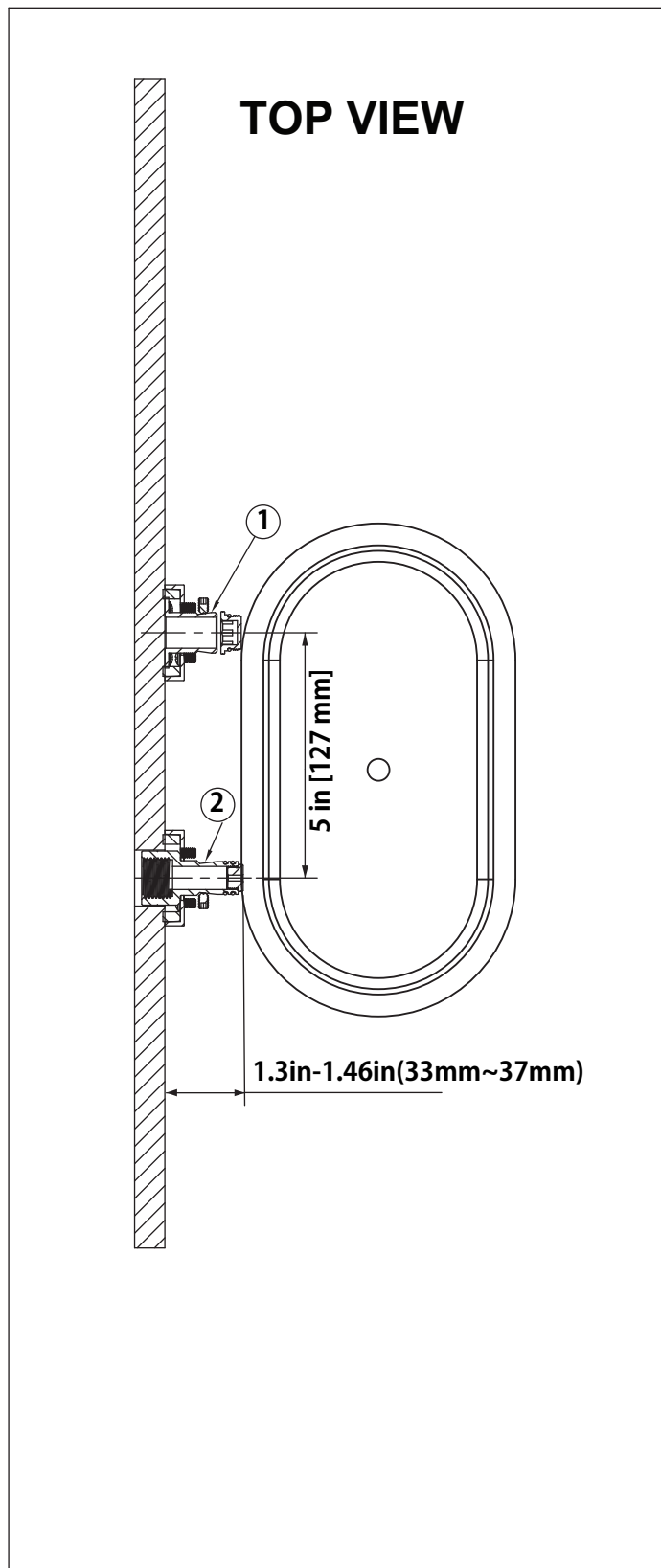
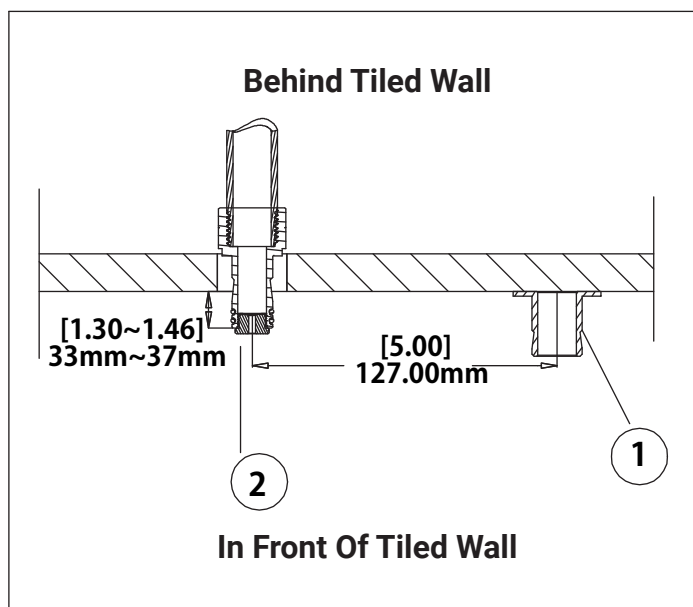
BEFORE YOU BEGIN

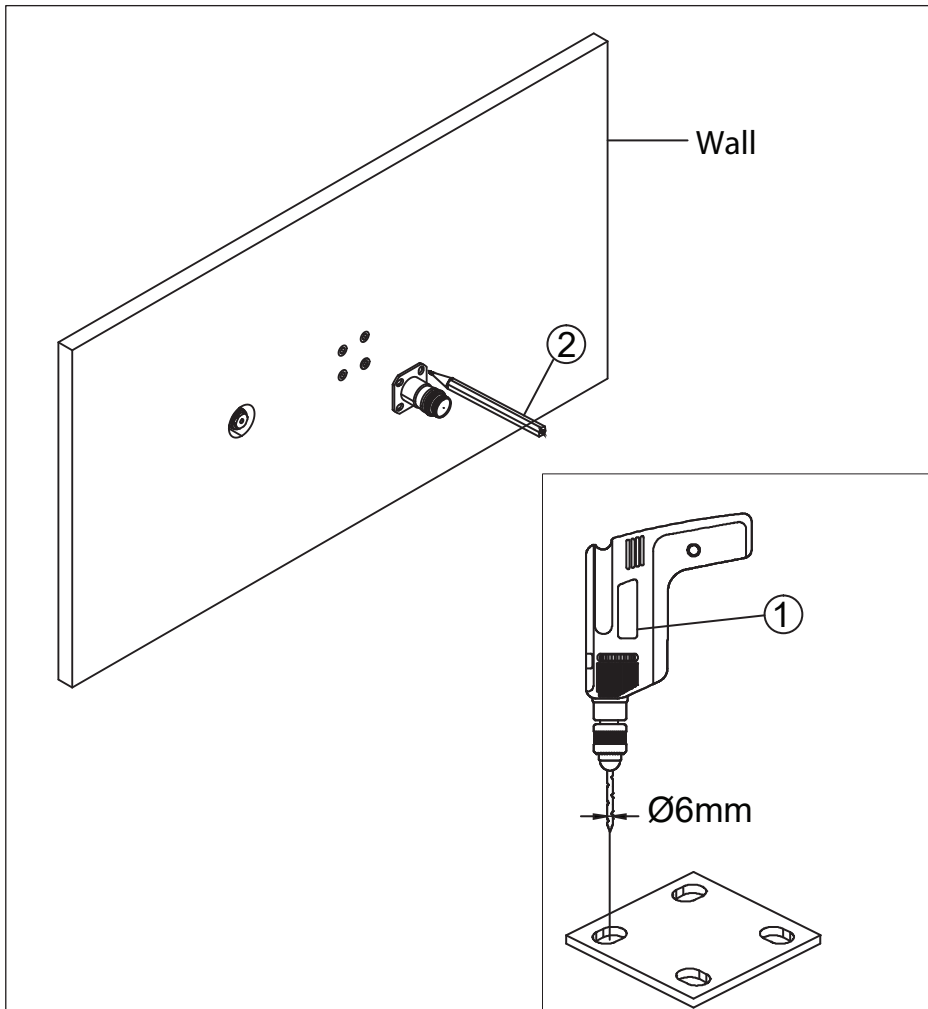
- You must observe all local plumbing laws and codes.
- Do not install this valve if it does not meet local plumbing codes.
- Shut off the main water supply.



BEFORE INSTALLATION

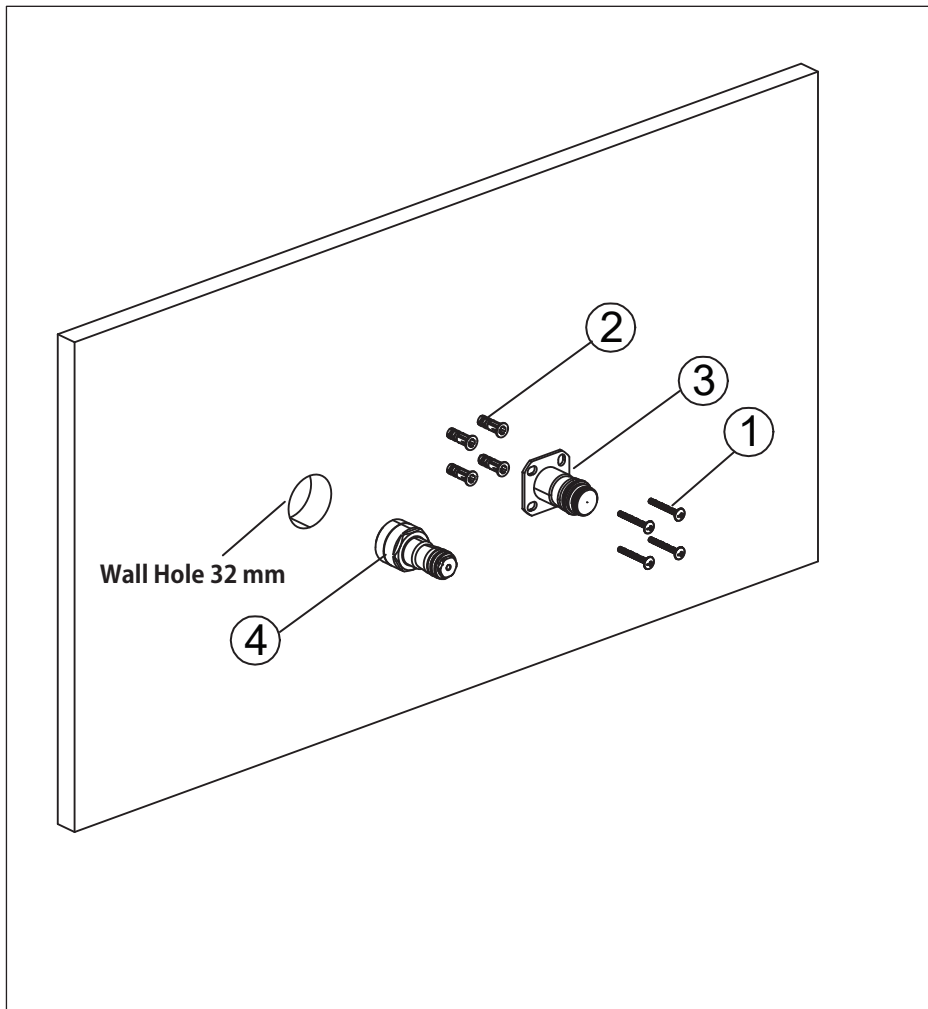
Please confirm the position of the mounting seat (1) and adapter (2). The adapter exposure to the wall is 33 mm to 37mm. Note: The center line of mounting seat must be level.





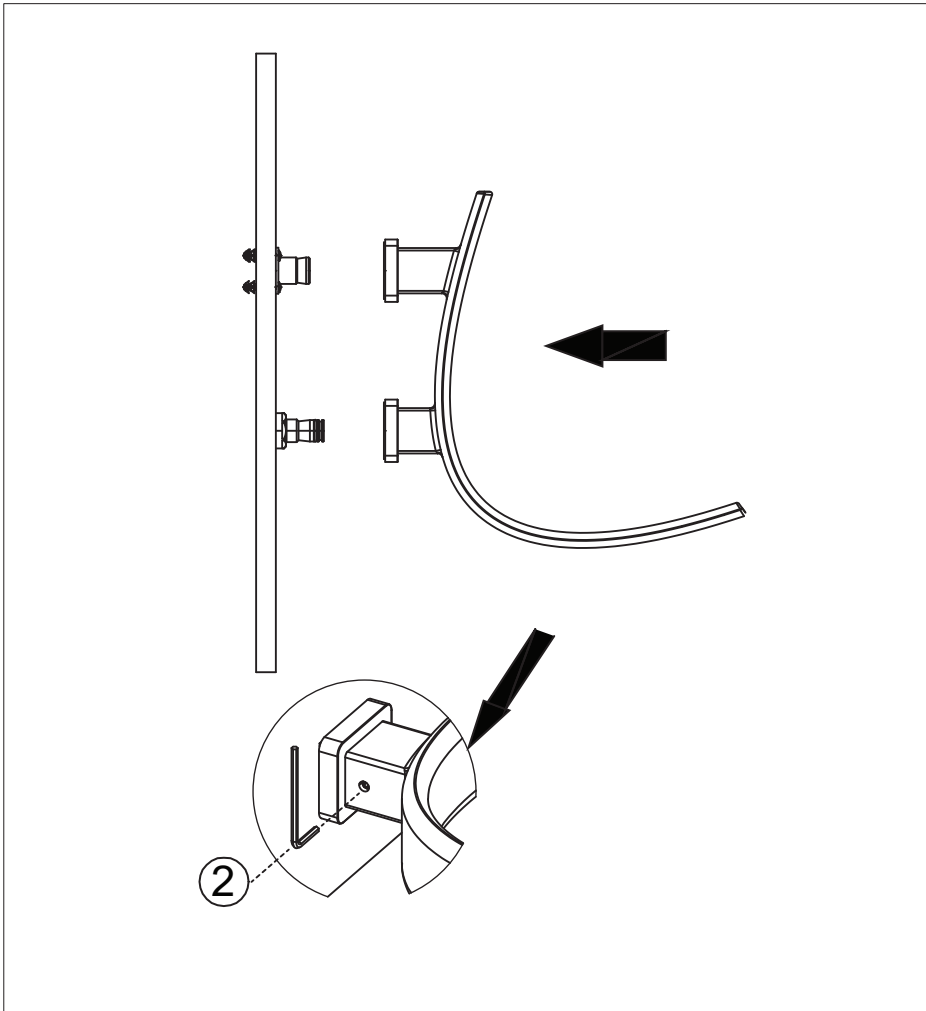
STEP 1

Mark the locations for the screws (1) and then drill the four holes [6mm diameter] for the screws (2)



STEP 2

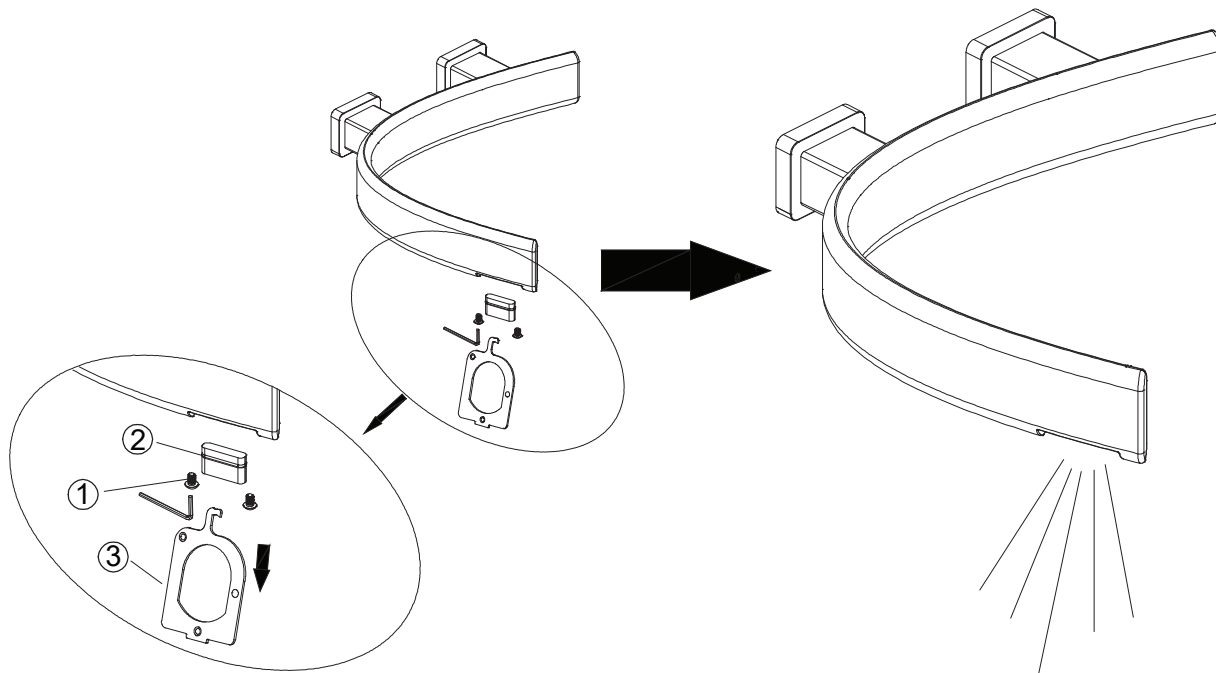
Secure the mounting seat (3) using screws (1) and wall plugs (2). Thread the female 1/2" NPT adaptor (4) onto the wall.



STEP 3

Loosen the hex screws (2) from the faucet with an allen wrench. Loosen the same screws on the opposite side in the same way.

Install the faucet onto the mounting seat and female 1/2" NPT adaptor by sliding it towards the wall and then tighten the hex screws to secure the faucet onto the wall.



STEP 4

IMPORTANT: After installation is complete, loosen the set screw (1) with Phillip's screwdriver, then remove aerator (2) with aerator wrench (3) provided to flush the water lines and check for leaks. If you discover any leaks, check your connections to ensure they are installed properly and reinstall the aerator.