

INSTALLATION INSTRUCTIONS

Contempo Diverter Tub Spout Part #: 2022-



Tools Needed (Not included):

1. Allen Wrench (2.5mm)
2. Sealant Tape
3. Waterproof Sealant
4. Allen Wrench (7/16")

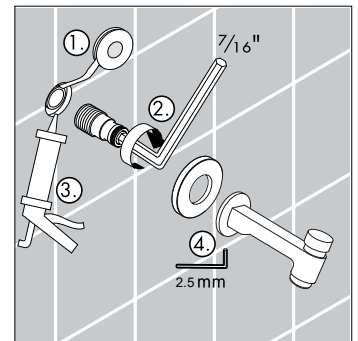
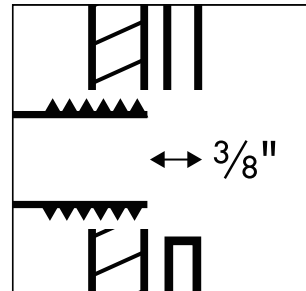
1. Flush the Pipe

Ensure to flush the pipe inside clean.

2. Spout Installation (1/2")

Requires 1/2" NPT male nipple recessed 3/8" behind surface of finished wall.

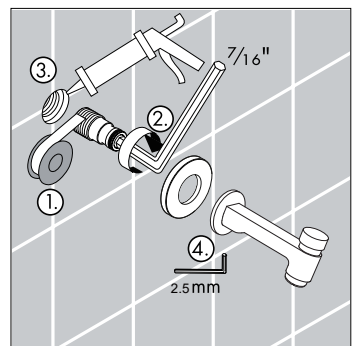
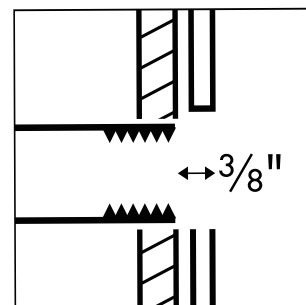
1. Wrap the threads on the nipple with Sealant Tape (1).
2. Install the mounting piece. Tighten using a 7/16" Allen Wrench (2).
3. Seal the wall around the mounting piece using waterproof sealant (3). **Failure to seal the wall may result in water damage.**
4. Install the spout. Tighten the screw using a 2.5 mm Allen Wrench (4).



3. Spout Installation (3/4")

Requires 3/4" female threaded pipe fitting recessed 3/8" behind surface of finished wall.

1. Wrap the mounting piece with Sealant Tape (1).
2. Install the mounting piece. Tighten using a 7/16" Allen Wrench (2).
3. Seal the wall around the mounting piece using waterproof sealant (3). **Failure to seal the wall may result in water damage.**
4. Install the spout. Tighten the screw using a 2.5 mm Allen Wrench (4).



To learn more about JACLO's warranty, please visit [**jaclo.com**](http://jaclo.com)