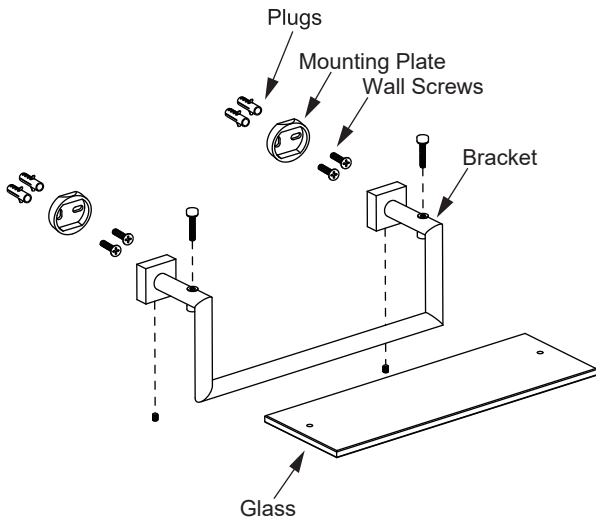
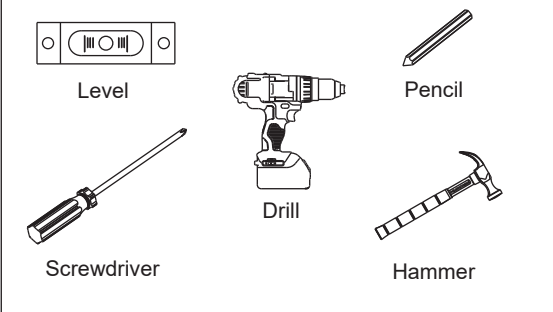


## MADRID COLLECTION

### GALSS SHELF W/10" - TOWEL BAR 262676



#### Tools required for installation



**Step 1**

Loosen the set screw on the accessory and remove the backing plate. Position the accessory against the wall and mark outline with pencil

**Step 2**

Position the backing plate flat side down on the wall and mark holes with pencil.

**Step 3**

Predrill 3/16" holes on the wall to fit wall plugs. Insert wall plugs into the wall. Position backing plate flat side down over the plugs and install screws.

**Step 4**

Slide the brackets onto the backing plates and tighten the set screws using Allen key provided.

**Step 5**

Insert the glass into the brackets and tighten the glass with set screws.