

FLORENCE COLLECTION TOWER PAPER HOLDER 322890



PRODUCT NAME: TOWER PAPER HOLDER

PRODUCT CODE: 322890

MATERIAL: All-brass construction

KEY FEATURES: Traditional design.
Round and elegant style.

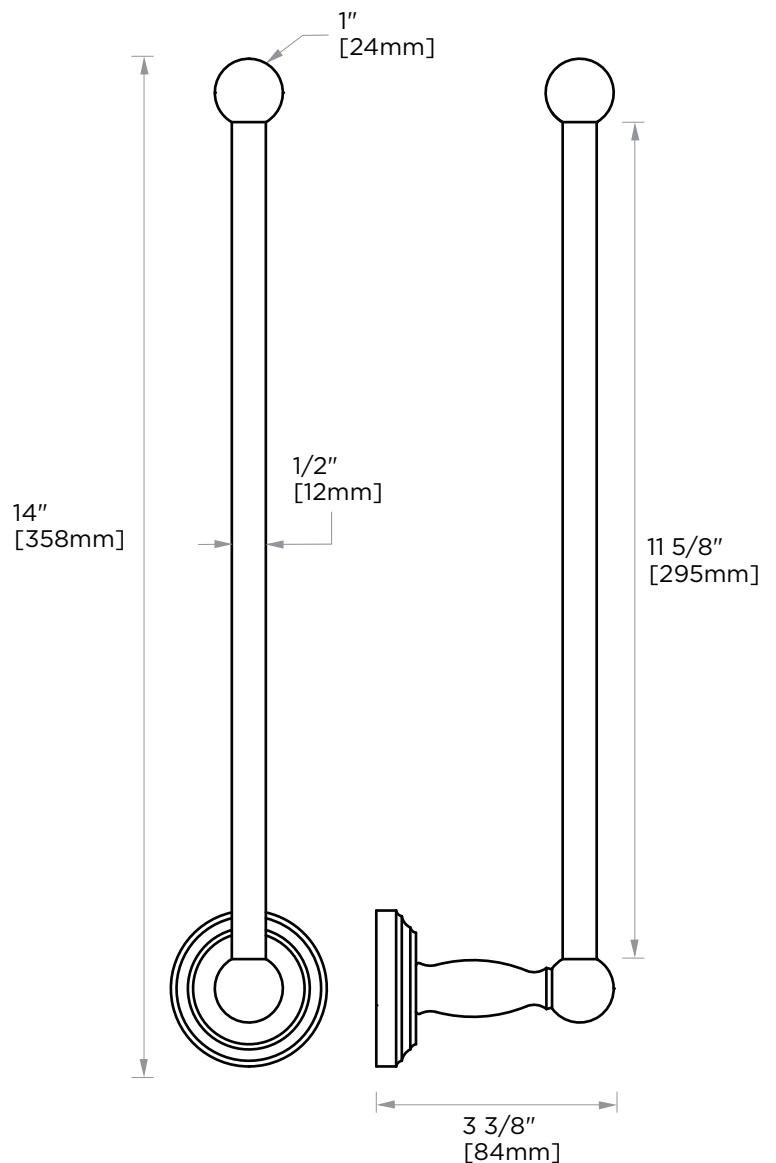
STOCKED FINISHES:

- Polished Chrome (99)
- Brushed Nickel (81)
- Polished Nickel (68)
- Matte Black (48)

SPECIAL FINISHES AVAILABLE: 26 options available.
Please see our website for full list samples

WARRANTY:

Lifetime Limited (Residential Use)
One Year (Commercial Use)



NOTE: Dimensions and specifications are subject to change without notice.