

### INSTALLATION INSTRUCTIONS



P70362

### INSTALLATION INSTRUCTIONS

#### THANK YOU FOR CHOOSING KALLISTA

We appreciate your commitment to KALLISTA quality products. Please take a moment to review this manual before you install your KALLISTA product. If you encounter any installation or performance problems, please do not hesitate to contact us at the phone number listed at the bottom of the page.

#### BEFORE YOU BEGIN

**IMPORTANT!** 2x6 framing is required for this product. 2x4 framing will not be deep enough to accommodate the carriage assembly.

**IMPORTANT!** In areas with freezing temperatures, install on an interior wall. If installed on an exterior wall, provide adequate insulation to prevent the possibility of freezing.

**NOTE:** This device is not intended to be used as a retrofit device for 1.28 gpf (4.8 lpf) water closets.

**NOTE:** Performance may vary. This product was not tested with toilets not listed as compatible.

- Observe all local plumbing and building codes.
- Please read all instructions before you begin.
- Carefully inspect the carriage and tank for damage.
- During installation, make sure the inlet tube connections and gaskets remain fully engaged to ensure a watertight seal.
- Shut off the water supply.
- KALLISTA reserves the right to make revisions in the design of products without notice, as specified in the Price Book.

#### TOOLS AND MATERIALS



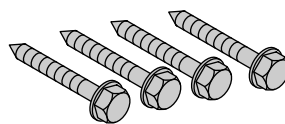
Assorted Drill Bits



2" Hole Bit



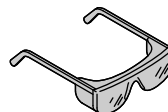
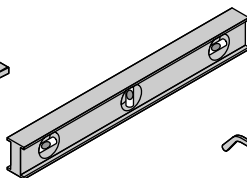
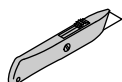
Silicone Plumbers Grease



1/4" x 2" (51 mm) Min Lag Bolts

**Plus:**

- Conventional woodworking tools and materials
- Cement board, 24" (610 mm) x 24" (610 mm) min

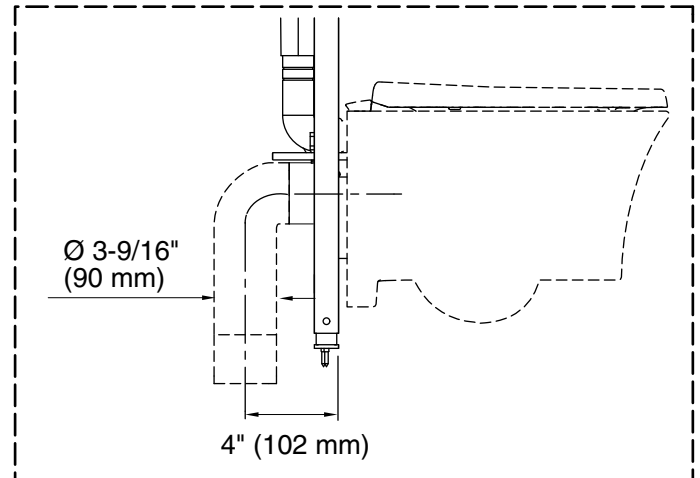
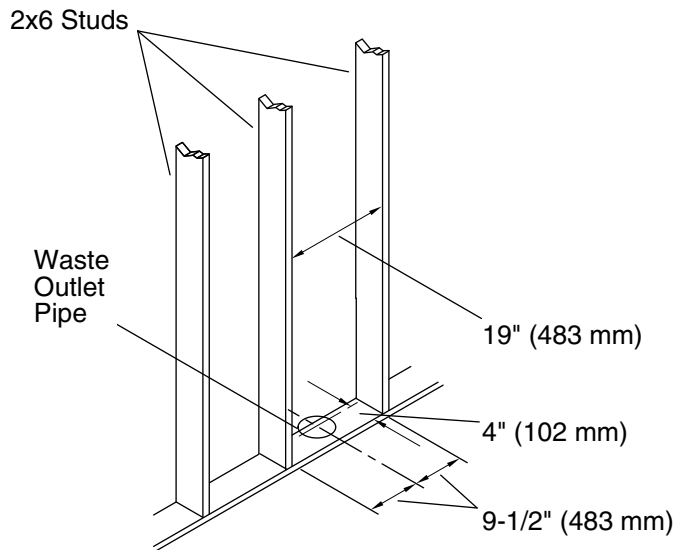


**Optional:**

- Assorted electrical tools

## INSTALLATION INSTRUCTIONS

## 1. INSTALL THE FRAMING



**IMPORTANT!** This installation requires 2x6 studs. Note the center-to-center stud dimension is not standard.

**IMPORTANT!** Note the 4" (102 mm) dimension from the front edge of the framing to the center of the outlet pipe. This dimension is critical for the installation.

**NOTE:** Refer to the specification sheet for more details and dimensions for roughing-in.

**NOTE:** The waste outlet pipe may need to be relocated for this installation.

**NOTE:** The recommended install height from the finished floor to the toilet rim is 16-1/8" (410 mm).

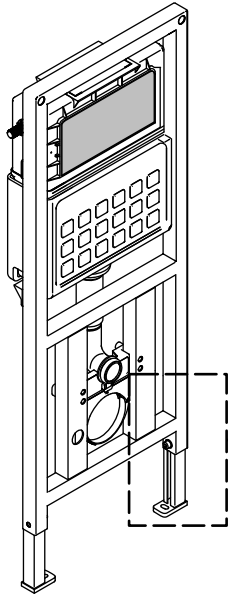
**NOTE:** A plastic elbow is supplied with this product. A cast iron elbow may be required by codes in some areas. The height of the toilet drain pipe may need to be adjusted if the cast iron elbow is used.

- Construct the stud pocket using lag bolts. Firmly insert the inlet pipe completely into the inlet hole.
- Install the stud pocket following the dimension shown.
- The centerline of the stud pocket should intersect with the center of the waste outlet. The center of the waste outlet should be exactly 4" (102 mm) from the front edge of the framing.

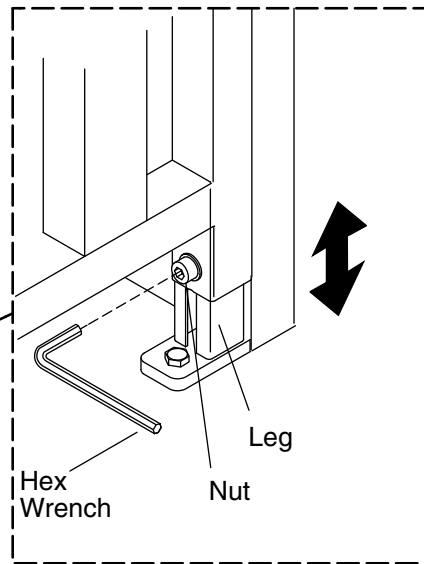
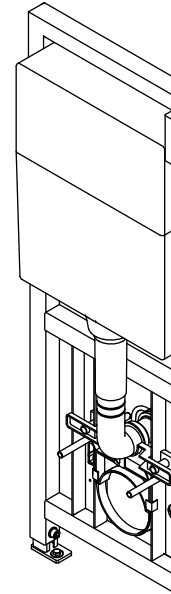
## INSTALLATION INSTRUCTIONS

## 2. PREPARE THE CARRIAGE

Front View



Back View

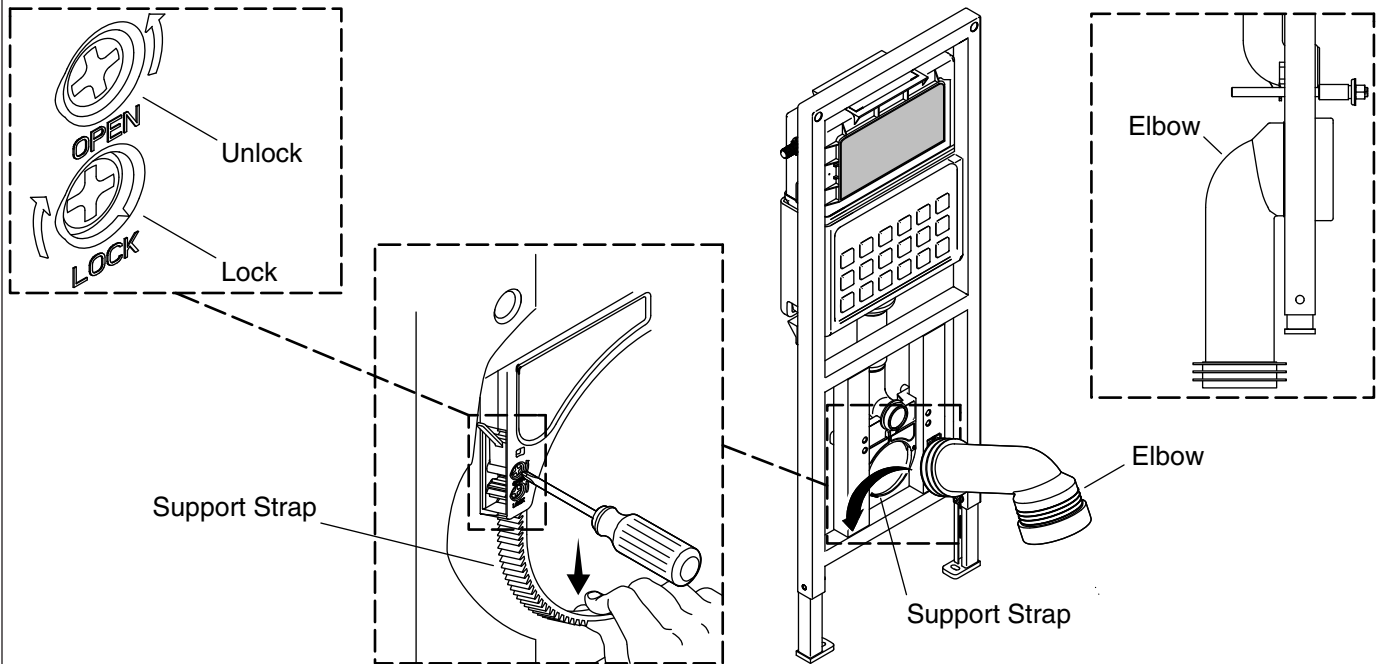


**NOTE:** Raise the carriage for ease of installation. It will be lowered again in a later step.

- Position the carriage face down on the floor.
- Loosen the nuts securing the legs to the carriage using the supplied hex wrench.
- Raise the carriage 8" (203 mm) - 10" (254 mm) high, enough to allow room for a wrench and lag bolts over the feet.
- Tighten the nuts securing the legs to the carriage.

## INSTALLATION INSTRUCTIONS

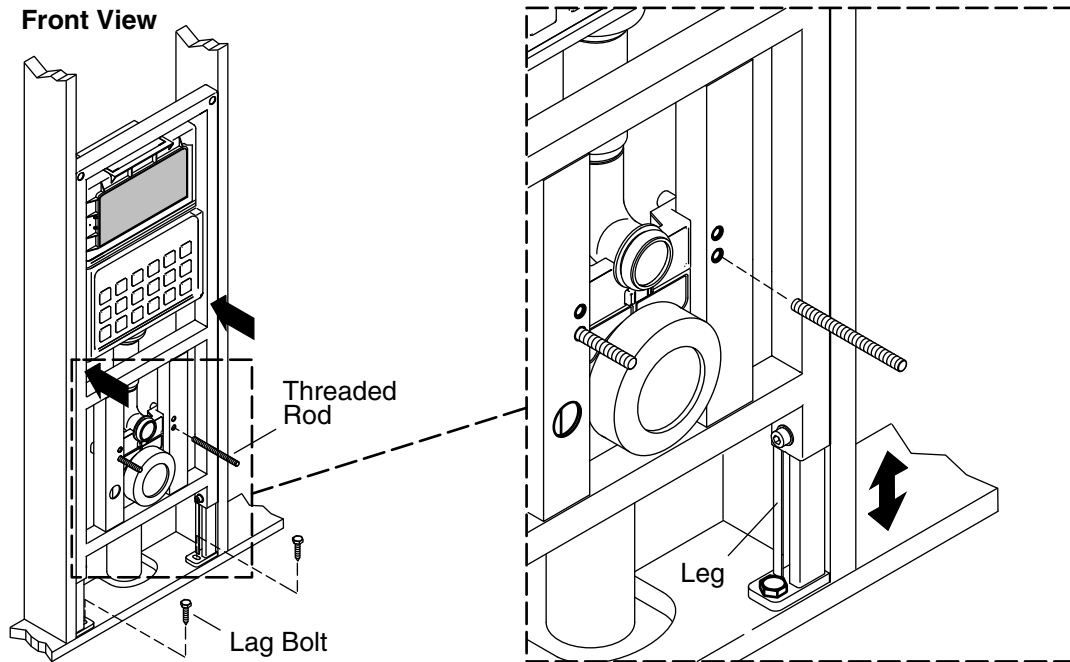
## 3. POSITION THE ELBOW



- Position the carriage upright in a secure position.
- Gently** turn the upper screw (labeled "Open") counterclockwise while applying slight downward pressure on the support strap until the strap comes free of the locking mechanism.
- Move the end of the elbow into place from the front of the carriage. Rotate the elbow downward as it moves through the carriage.
- With the flared end of the waste pipe against the support strap, insert the support strap upward into the locking mechanism as far as possible.
- Gently** turn the lower locking screw (labeled "Lock") clockwise until you hear a click to secure the waste pipe.

## INSTALLATION INSTRUCTIONS

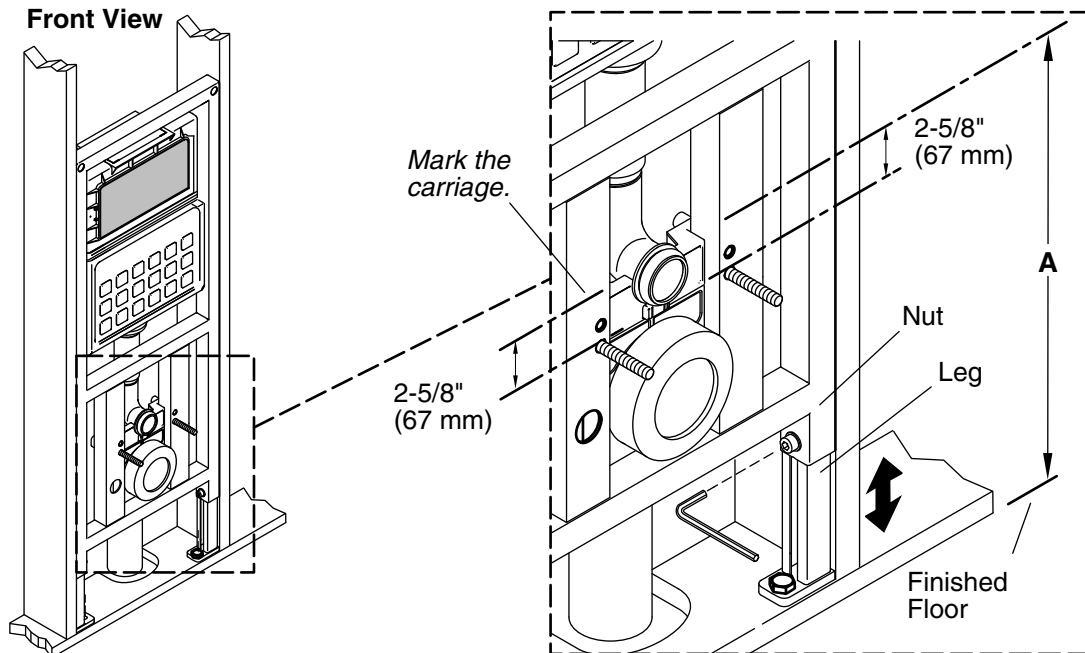
## 4. INSTALL THE CARRIAGE



- Move the carriage into place in the stud pocket.
- Temporarily secure the carriage in place so it will not fall.
- Align the carriage flush with the front edge of the studs. The front of the carriage should be flush with the front edge of the studs or set back slightly for finished wall installation.
- Check the front of the carriage for plumb.
- Mark the hole location for each foot.
- Drill a pilot hole (remove the carriage if needed) to reduce the risk of the lag bolt causing the stud to split or crack.
- Secure the feet of the carriage to the studs using 2" (51 mm) long (minimum) lag bolts (not supplied).
- Install the threaded rods several turns into the carriage.

## INSTALLATION INSTRUCTIONS

## 5. ADJUST THE CARRIAGE HEIGHT



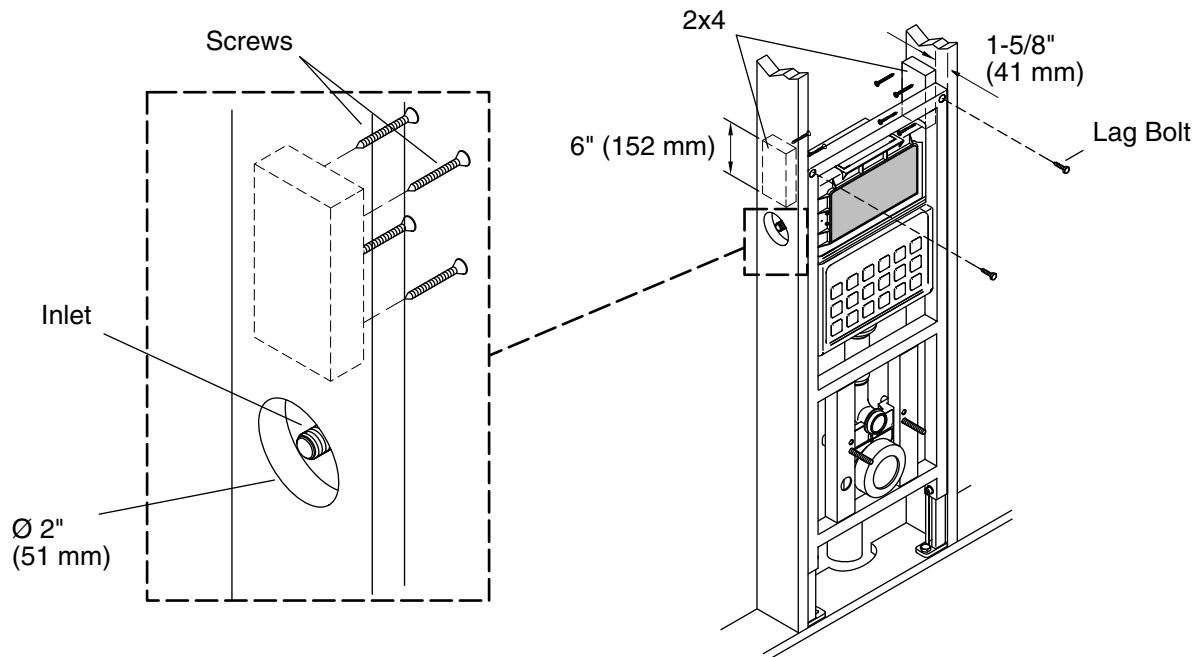
**IMPORTANT!** If the carriage is not correctly adjusted, the bowl rim height may not be compliant with applicable codes. The finished wall would need to be removed to make the correct adjustments if the bowl height is not correct.

**NOTE:** The recommended install height from the finished floor to the toilet rim is 16-1/8" (410 mm). The minimum rim height is 15-5/8" (391 mm) when the finished floor is even with the bottom of the carriage legs. The maximum rim height is 26" (660 mm) when the legs are fully raised. The carriage can be adjusted up to 12" (305 mm), with 6" (152 mm) or less of adjustment sufficient in most installations.

- Make a mark 2-5/8" (67 mm) above the top of the threaded rod.
- Measure from the top of the finished floor to the mark (A) to determine the rim height of the bowl.
- Loosen the nuts securing the legs to the carriage.
- As the carriage is lowered, make sure the elbow aligns with the toilet drain pipe.
- If applicable, confirm the gasket on the elbow stays correctly positioned as it enters the toilet drain pipe.
- Adjust the carriage until the desired height is reached. Securely tighten the nuts using the provided hex wrench to secure the legs in place.
- If a cast iron elbow is required, make the connections following all applicable codes.

## INSTALLATION INSTRUCTIONS

## 6. SECURE THE TOP OF THE CARRIAGE

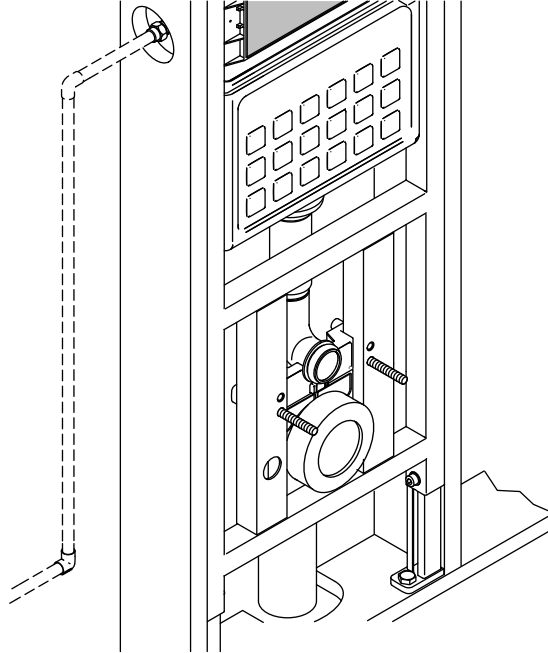


- Drill pilot holes at the lag bolt locations.
- Install two 6" (152 mm) long support 2x4's, located at the top of the carriage, aligned with the mounting holes, 1-5/8" (41 mm) in from the front edge of the studs.
- Secure the carriage to the support studs using 2" (51 mm) long (minimum) lag bolts (not supplied), one on each side.
- At the location of the inlet, drill a 2" (51 mm) hole.



### INSTALLATION INSTRUCTIONS

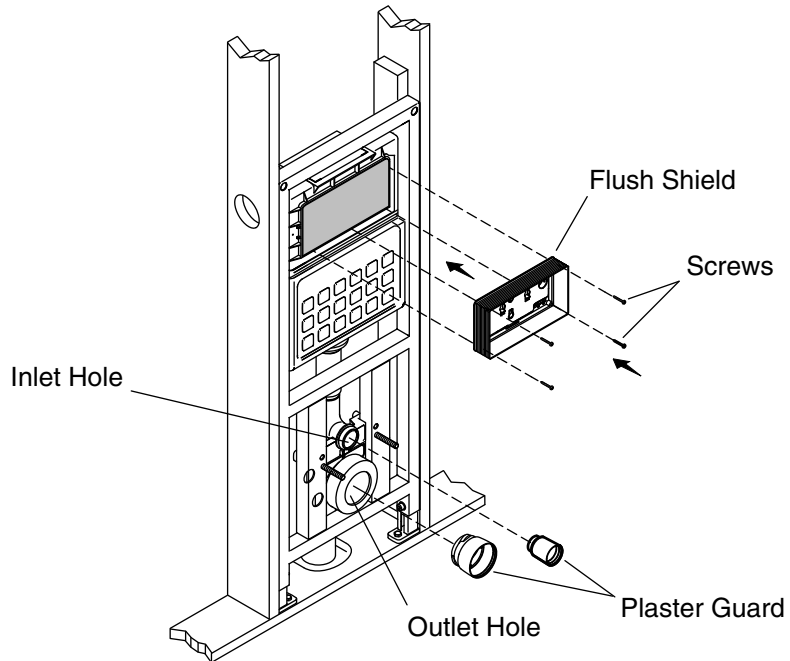
#### 7. INSTALL THE WATER SUPPLY



- Install the water supply pipes, following all local codes.
- Connect the waste pipe following all applicable local codes.

## INSTALLATION INSTRUCTIONS

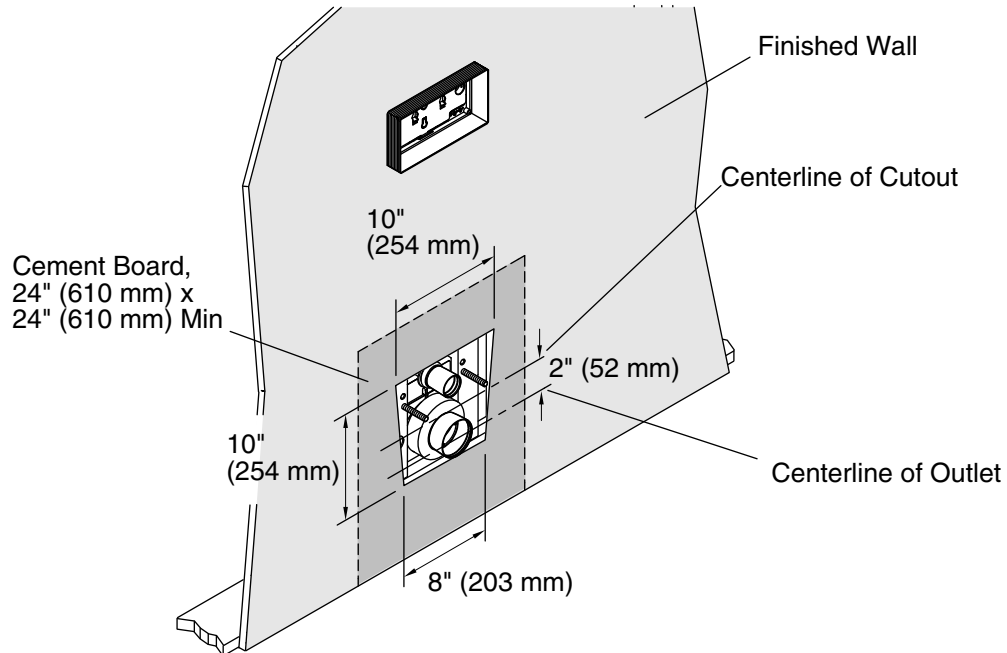
## 8. INSTALL THE PLASTER GUARDS



- Insert a plaster guard into the inlet hole in the carriage.
- Install a plaster guard into the outlet hole in the carriage.
- Install the flush shield in the flush valve opening using the four supplied screws.
- If it is not already installed, install the flat panel in the flush valve opening.

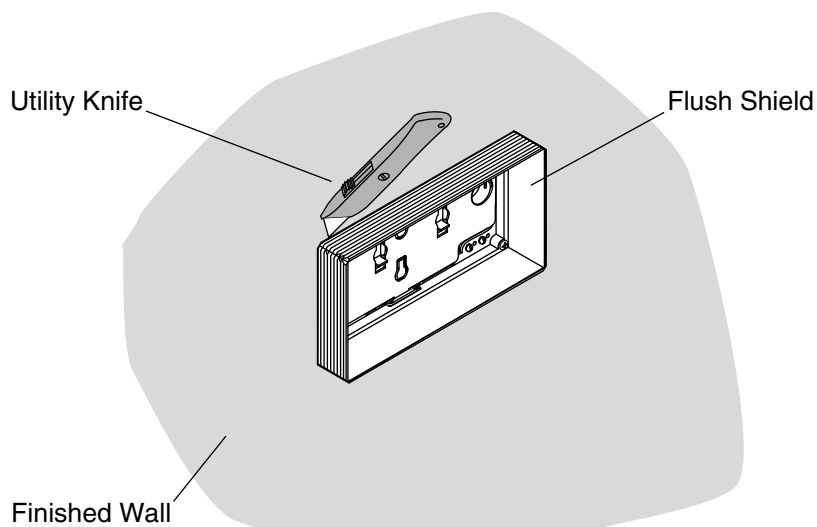
### INSTALLATION INSTRUCTIONS

#### 9. INSTALL THE FINISHED WALL



- Install a minimum 24" (610 mm) by 24" (610 mm) piece of cement board with a 10-1/2" (267 mm) by 10" (254 mm) hole, installed directly behind the bowl and centered over the waste outlet opening.
- Install the finished wall.

#### 10. TRIM THE FLUSH SHIELD



- Use a utility knife to carefully trim the flush shield even with the finished wall.

### INSTALLATION INSTRUCTIONS

TROUBLESHOOTING		
Symptoms	Cause	Recommended Action
1. Poor flush.	A. Water level is too low.	A. The water line should be about 8" (203 mm) above the bottom of the tank. Raise the water level in the tank to the marked waterline by turning the white knob clockwise until the water level reaches the waterline marked in the tank.
	B. Improper waste line venting.	B. Install venting to code.
2. Running fill valve.	A. Water level is too high.	A. Lower the water level in the tank by turning the knob at the top of the threaded rod counterclockwise until the fill valve shuts off when the water level reaches the marked waterline in the tank.
	B. Flush valve gasket or flush valve are damaged.	B. Replace the gasket or flush valve as necessary.
	C. Flush valve is sticking open.	C. Check the flush valve and actuating mechanisms for free movement. Push button actuators should raise levers then spring back without force. Replace components as necessary.
3. Leaks from behind the bowl.	B. Gaskets not positioned correctly.	A. Remove the bowl and inspect all the gaskets. Reposition the gaskets if needed. Lubricate the gaskets so they slide in or over the mating part they seal. Reinstall the bowl, making sure the gaskets stay in the correct positions.
4. Carriage and bowl flex when used.	A. Insufficient support for the frame.	A. Add additional support members, and mount the frame with 1/4" or larger lag bolts.
5. No water flow.	A. Supply stop located in tank is closed.	A. Open the supply stop (located on the left side).
	B. There is an obstruction in the water line.	B. Close the external supply stop, disconnect the braided hose where it attaches to the fill valve. Turn on the water supply and check the flow through the hose. Continue to investigate water path for obstructions. Clear any blockages.