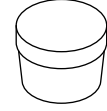
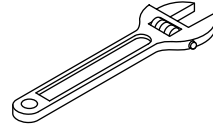
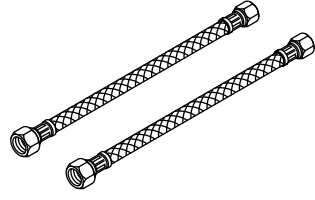
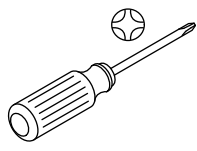


KALLISTA®

Installation Guide



Stainless (Non-Staining)
Plumbers Putty

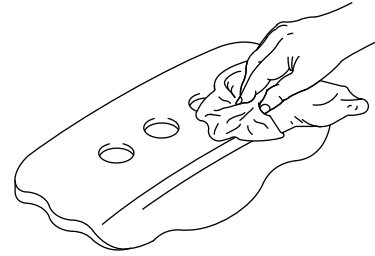


Record your model number below for future reference:

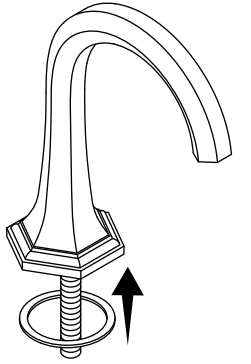
Important Information
For new installations, assemble the faucet to the sink before installing the sink.
Observe all local codes.
Shut off the water supply.

Do not use petroleum-based plumbers putty on marble or stone surfaces.

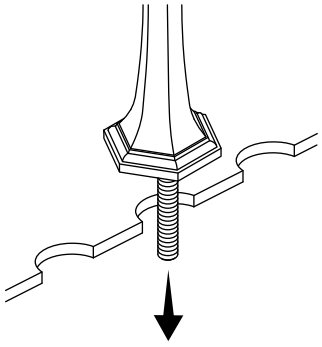
1 Clean the sink surface.



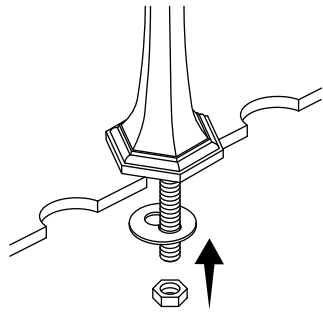
2 Install the gasket to the underside of the spout.



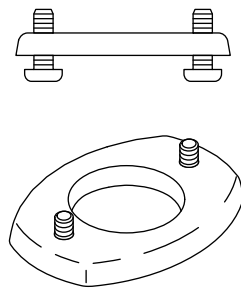
3 Insert the spout.



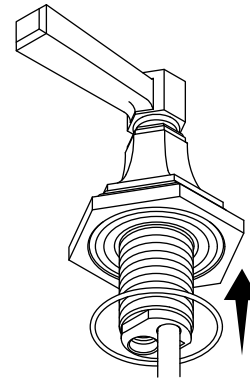
4 Slide the washer onto the shank. Secure with the nut.



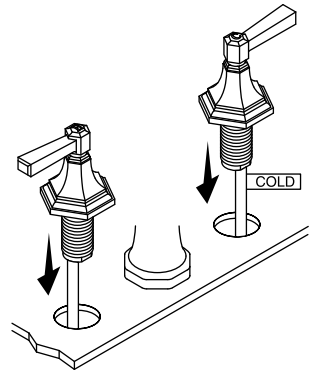
5 Partially thread the screws into the rings.



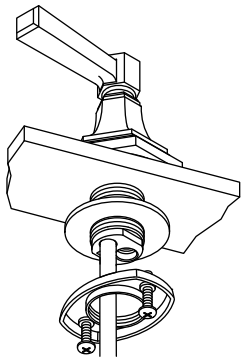
6 Ensure the O-ring is installed to the underside of the handles.



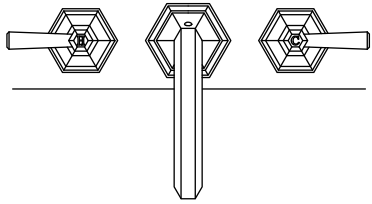
7 Insert the "COLD" handle on the right and the other handle on the left.



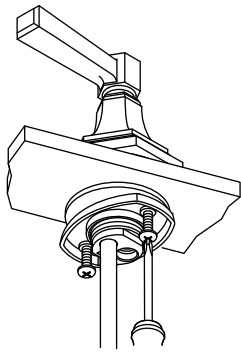
8 Loosely secure the handles with the washers and threaded rings.



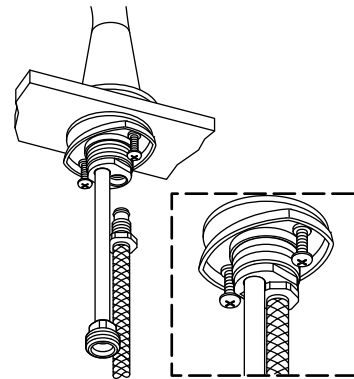
9 Turn the handles to the OFF position.



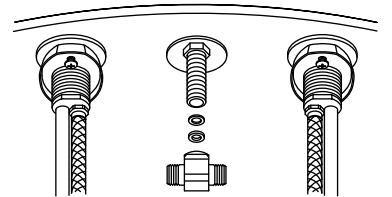
10 Position the screws to the front and back. Tighten to secure.



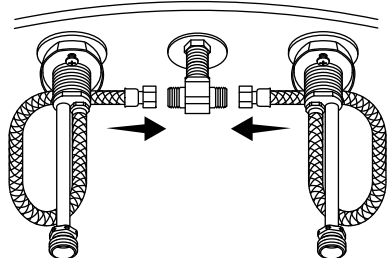
11 Connect the provided hoses to the valves.



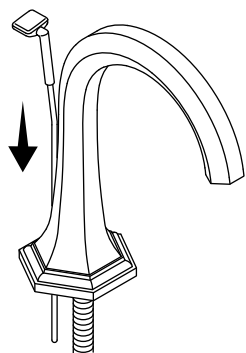
12 Insert the washer and gasket into the tee. Thread the tee onto the shank.



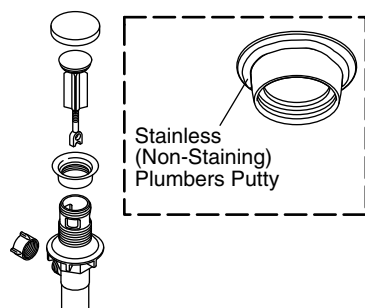
13 Connect the hoses to the tee.



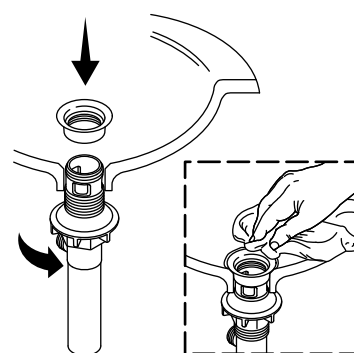
14 Install the lift rod.



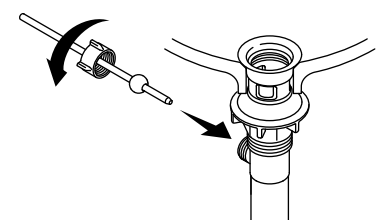
15 Disassemble the drain. Apply plumbers putty to the underside of the flange.



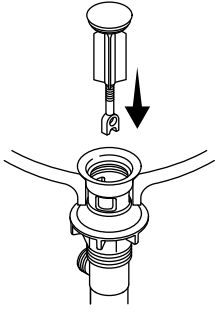
16 Install the flange. Tighten the nut. Wipe away excess plumbers putty.



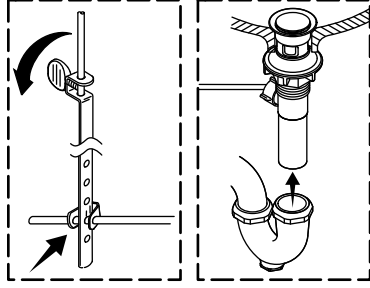
17 Insert the rod and tighten the nut.



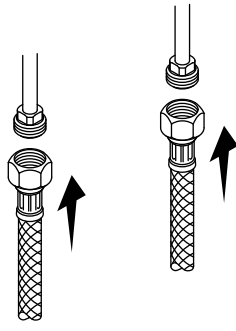
18 Insert the stopper. If required, turn the stopper bolt to adjust the height.



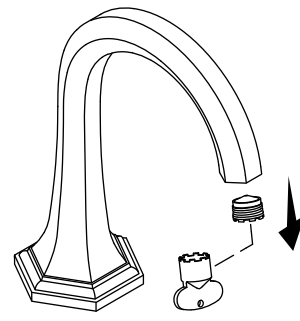
19 Connect the lift rod using the clip. Tighten the thumbscrew. Connect the trap to the tailpiece.



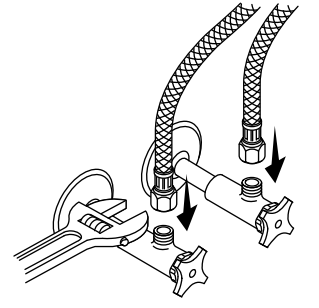
20 Connect the supply hoses to the valves.



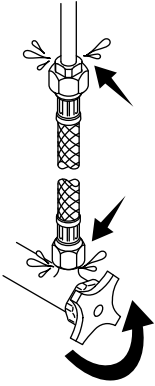
21 Remove the aerator.



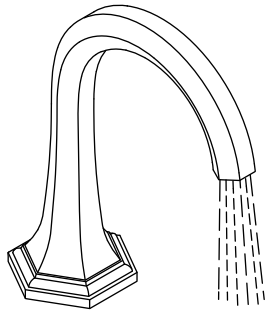
22 Connect the supply hoses to the supply stops.



23 Turn on the water supplies. Check for leaks.



24 Run water to flush debris.



25 Turn off the water. Install the aerator.

