

KALLISTA®

Air Gap Body and Cover

FEATURES

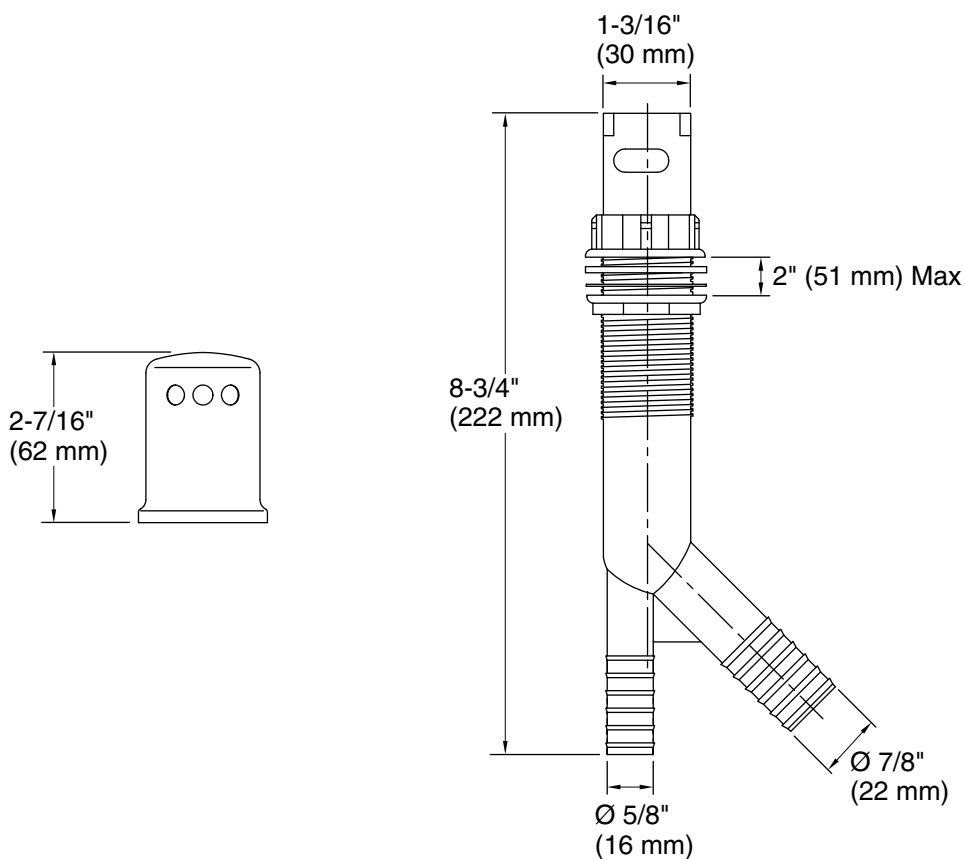
- Solid polypropylene body
- Solid brass construction for cap
- Complements KALLISTA kitchen faucet finishes

CODES/STANDARDS APPLICABLE

Specified model meets or exceeds the following:

- ASME A112.18.1/CSA B125.1
- ASSE 1021

P34014



SPECIFIED MODEL

Model	Description	Finishes			
P34014-00	Air Gap Body and Cover	<input type="checkbox"/> CP Polished Chrome	<input type="checkbox"/> AD Nickel Silver	<input type="checkbox"/> AG Brushed Nickel	<input type="checkbox"/> GN Gunmetal
		<input type="checkbox"/> D3 Antique Copper	<input type="checkbox"/> W7 Black Nickel	<input type="checkbox"/> ULB Unlacquered Brass	

We reserve the right to make revisions without notice in the design of products or in packaging unless this right has specifically been waived at the time the order is accepted.