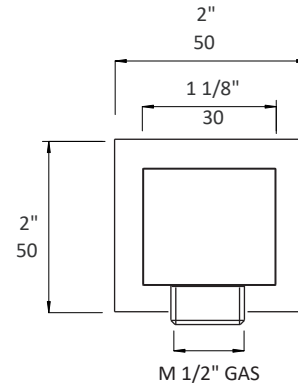




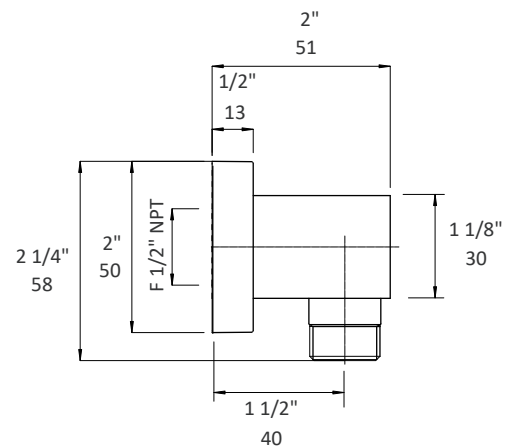
### Specifications:

<b>Installation:</b>	wall mount with square plate
<b>Exterior Dimensions:</b>	W: 2" D: 2" H: 2 1/4"
<b>Material:</b>	solid brass construction
<b>Weight:</b>	1.3 lbs
<b>Connection IN:</b>	F 1/2 NPT
<b>Connection OUT:</b>	M 1/2 G
<b>Finishes:</b>	CR - polished chrome



### Features:

- water intake for hand-held shower head
- square backplate
- shower head with hose sold separately

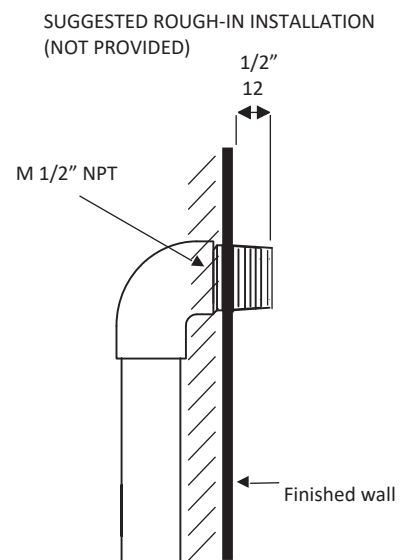


### Codes + Standards:

- Meets and exceeds applicable national codes and standards

### Recommended Items:

- 2060 hand-held shower head with hose
- 2062 hook
- 2070 shower rail
- A00045 replacement flexible shower hose with metal coil



LACAVA reserves the right to revise any dimension or information on this sheet without notice. Dimensions are nominal and may vary within an industry accepted tolerance of 1/4". Drawings provided herein are meant to give the user an idea of the product and are not made to scale. Location of plumbing is meant for reference, your specific application may vary.  
Revised: 06/14/2019