

## Brick Shelf Item #5090

### Features:

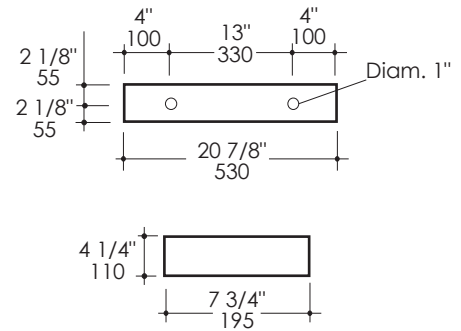
- Wall-mount ceramic shelf
- Includes concealed installation hardware
- Sold individually



### Finish Options:

001 - White

### Product Specifications:



### Notes:

Drawings provided herein are meant to give the user an idea of the product and are not made to scale. The size in inches is rounded up to the nearest 1/16".

LACAVA is committed to the highest level of customer service. Please feel free to contact us at 1-888-522-2823 (toll free) or by email at [info@lacava.com](mailto:info@lacava.com) for technical assistance or any general inquiries.