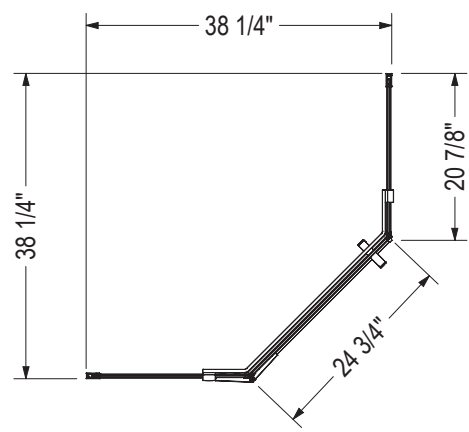
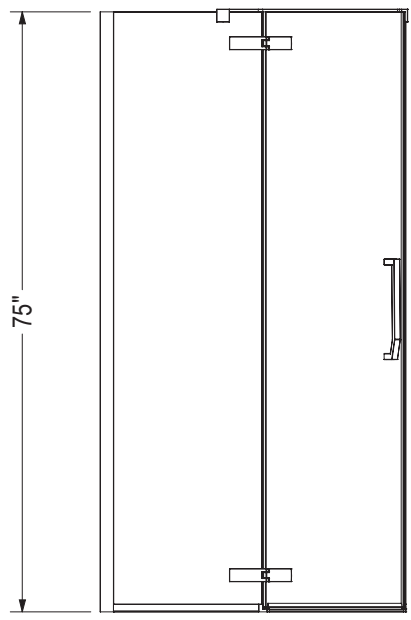


STANDARD



- Door opening : $24 \frac{1}{8}$ "
- Wall jamb adjustment : $\frac{3}{4}$ "



All dimensions are approximate. Structure measurements must be verified against the unit to ensure proper fit.