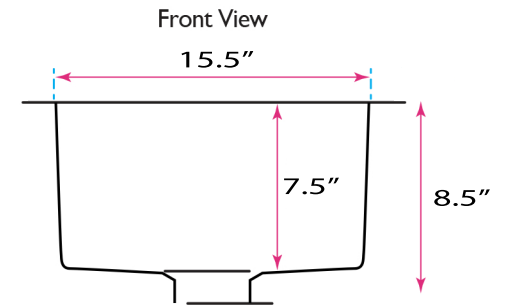
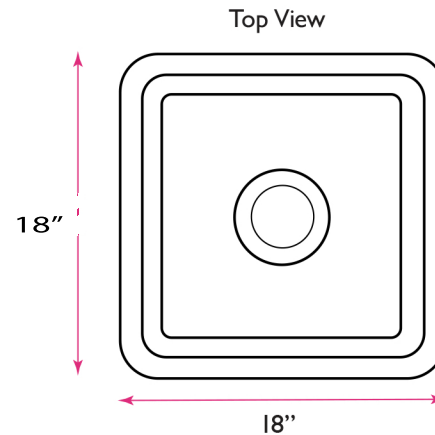


Cape Collection

Dual Mount Fireclay Kitchen Sink



MODEL:
Orleans1616



Overall Dimensions	Interior Bowl	Bowl Depth	Exterior Depth	Drain Dimensions
18" x 18"	15.5" x 15.5"	7.5"	8.5"	3.5" Opening

Features:

- Fireclay is hygienic, with a glazed surface that inhibits bacterial growth better than stainless steel
- Finished glazed top edge
- Limited lifetime manufacturer's warranty
- Mounting hardware not included
- Under mount or top mount Installation
- Nominal Dimensions*- actual dimensions may vary by .25"
- Professional installation recommended
- Template not included



PROJECT/ NAME:

ARCHITECT/CONTRACTOR:

MODEL:

JOB NOTES: