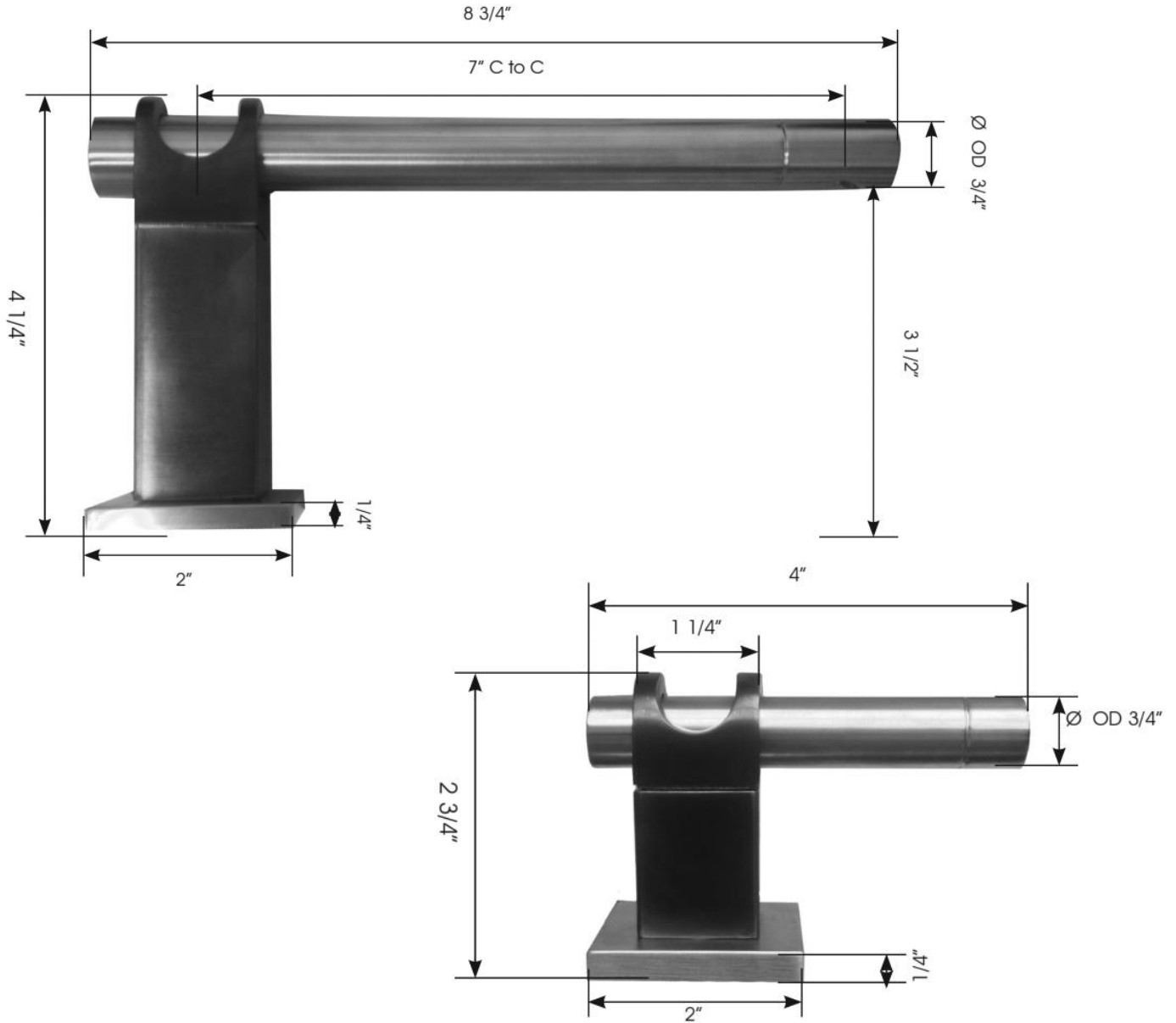




PRODUCT SPECIFICATIONS

Strap Deck Mounted Lav Faucet ST-LAV-DM

Apr 2019



- ADA Compliant
- Includes pair of hot & cold controls
- Includes Soft Touch Drain w/o overflow
- Custom finishes available

Connection	3/8" Compression
Valve	1/2" Ceramic
GPM	1.5