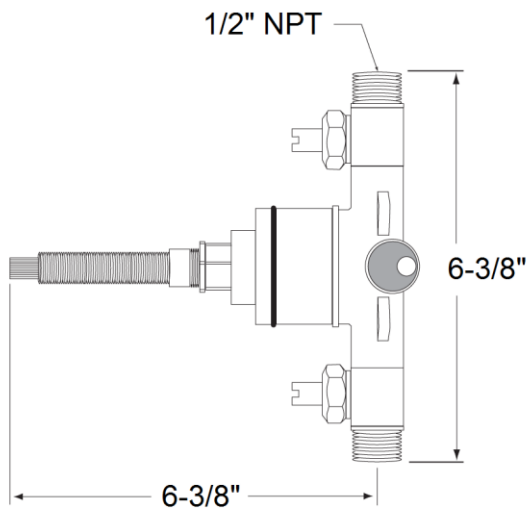
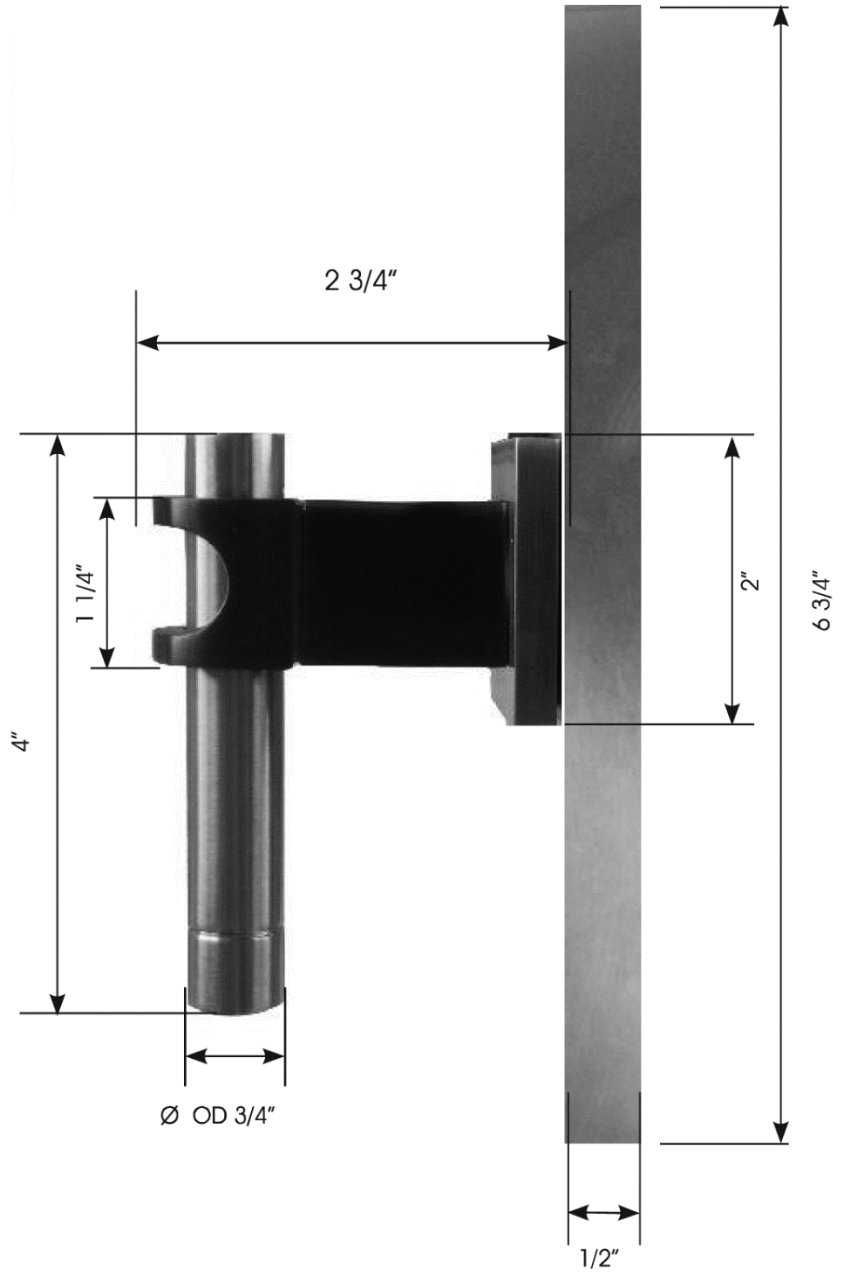




PRODUCT SPECIFICATIONS

Strap Pressure Balance Control ST-PB

Aug 2015



- ADA Compliant
- Custom finishes available

Connection	1/2" NPT
Valve	1/2"
GPM	5.6