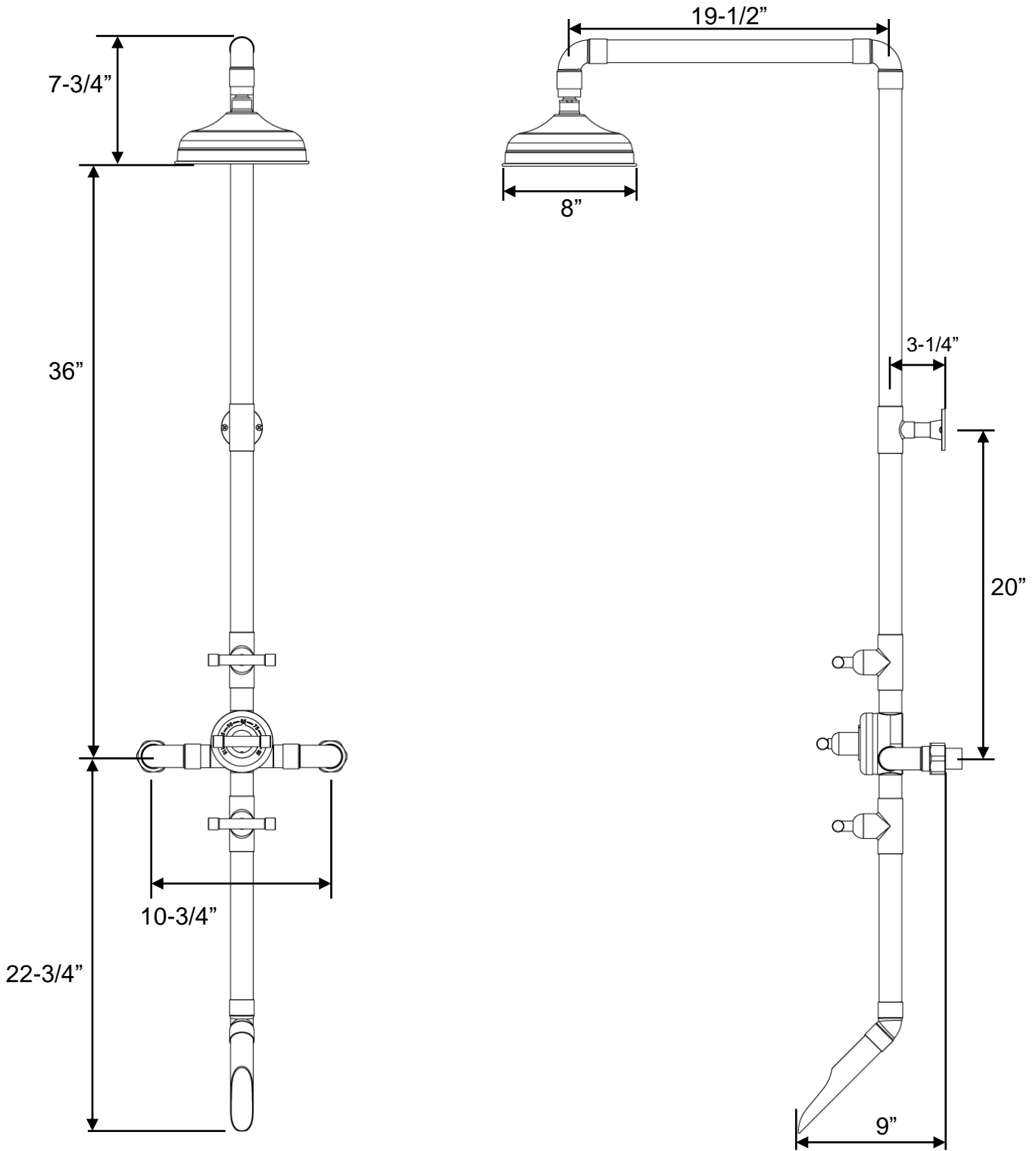




Dec 2020

PRODUCT SPECIFICATIONS

Waterbridge Thermostatic Exposed Shower WB-SHW-970



- ADA Compliant
- Cross handles available
- Custom sizes and finishes available

Connection	3/4" FIP
GPM	1.8