

Promenade® Pedestal Lavatory

FEATURES

- 24" x 19-1/4"
- Traditional styling
- 34-3/8" Universal Height for maximum comfort
- Rear overflow
- Vitreous china pedestal and lavatory combination complete with mounting hardware

MODELS

- LPT532N
Pedestal lavatory with single hole
- LPT532.4N
Pedestal lavatory with 4" faucet centers
- LPT532.8N
Pedestal lavatory with 8" faucet centers
- Available Components:
 - LT532N
Lavatory with single hole
 - LT532N.4
Lavatory with 4" faucet centers
 - LT532N.8
Lavatory with 8" faucet centers
 - PT530N
Pedestal only, with mounting hardware

COLORS/FINISHES

- #01 Cotton
- #03 Bone
- #11 Colonial White
- #12 Sedona Beige
- #51 Ebony



Faucet sold separately

CODES/STANDARDS

- Meets and exceeds ASME A112.19.2/CSA B45.1
- Certifications: IAPMO(cUPC), State of Massachusetts, City of Los Angeles, and others
- Code compliance: UPC, IPC, NSPC, NPC Canada, and others



PRODUCT SPECIFICATION

The lavatory shall be 24" width and 19" depth. The basin shall be 18-7/8" by 11-1/8". The lavatory shall be made of vitreous china and be 34-3/8" universal height with rear overflow. Lavatory shall be TOTO Model LPT532_____.

LPT532N

Promenade® Pedestal Lavatory

SPECIFICATIONS

- Waste 1-1/4" O.D.
- Size 24" W x 19-1/4" D
- Basin 18-7/8" x 11-3/8"
- Height: Floor to Rim 34-3/8"
- Warranty One Year Limited Warranty
- Material Vitreous china
- Shipping Weight LT532N/LT532.4N/LT532.8N 40 lbs.

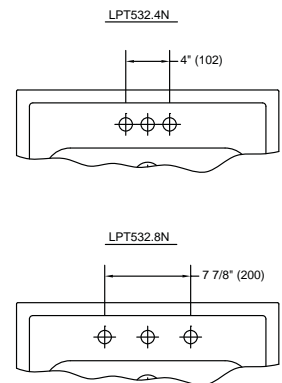
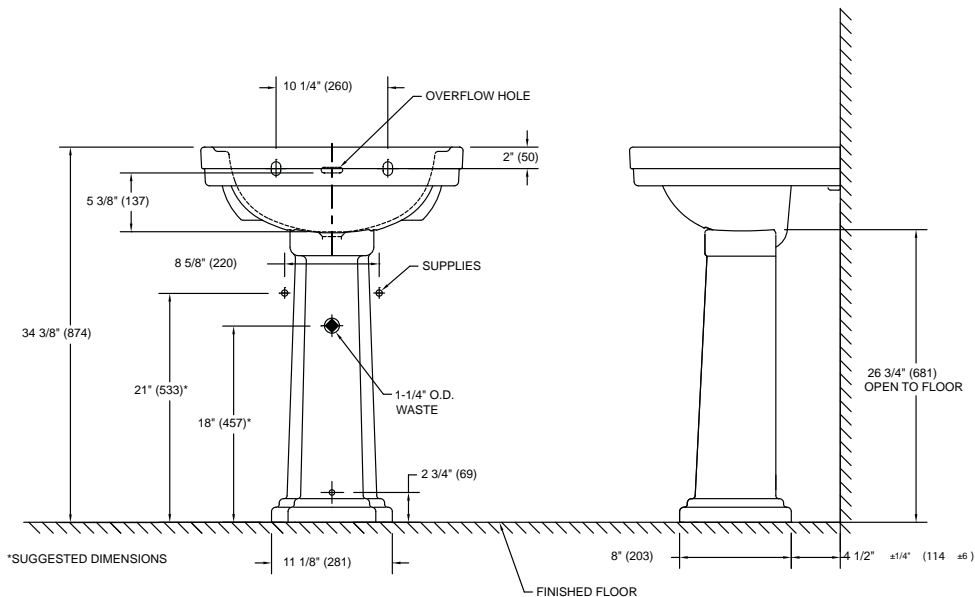
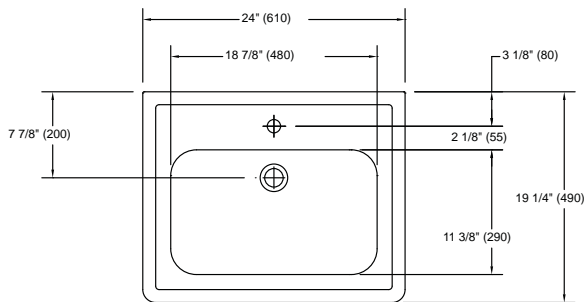
PT530N
27 lbs.

- Shipping Dimensions LT532N/LT532.4N/LT532.8N 24-3/4" L x 26-7/8" W x 12-3/8" H

PT530N
28" L x 11-3/8" W x 11" H

INSTALLATION NOTES

Requires PT530N pedestal foot for support. Use proper back support to mount product.



TOTO®

These dimensions and specifications are subject to change without notice

Ph: (888) 295-8134 | Fax: (800) 699-4889 | www.totousa.com

Printed in U.S.A. | © TOTO USA 10/10 | Printed on recycled paper ♻️

#SS-00266, v.04