

# TOTO®

# TS301FL41 & TS301FL51

## Traditional Collection Series B Single-Spray Handshower

### FEATURES

- WaterSense certified low-flow 2.0 gpm (7.5 lpm)
- Single-spray handshower
- Rubber nozzles to prevent limescale build up
- G 1/2" connection

### MODELS

- TS301FL41  
3-1/2" handshower  
3" diameter spray face
- TS301FL51  
4-1/2" handshower  
4" diameter spray face



TS301FL41: Traditional Collection Series B Single-Spray Handshower 3-1/2"

### COLORS/FINISHES

- #CP Polished Chrome
- #BN Brushed Nickel
- #PN Polished Nickel

### CODES/STANDARDS

- Meets or exceeds ASME A112.18.1/CSA B125.1
- Certifications: IAPMO(cUPC), EPA WaterSense, State of Massachusetts and others
- Code Compliance: UPC, IPC, NSPC, NPC Canada, and others



### PRODUCT SPECIFICATION

The single-spray handshower shall have a maximum flow rate of 2.0 gpm (7.5 lpm). TS301FL41 shall have a 3-1/2" handshower and a 3" diameter spray face. TS301FL51 shall have a 4-1/2" handshower and a 4" diameter spray face. Product shall have a single spray. Product shall have rubber nozzles to prevent limescale build up. Product shall be TOTO Model TS301FL\_\_\_\_ #\_\_\_\_.

**Please note the following components are sold separately:**



TS101R  
Wall Outlet



TS101S  
Shower Arm Mount



TS101V  
Handshower Wall-Mount



TS101W60  
Shower Hose 60"

# TS301FL41 & TS301FL51

## Traditional Collection Series B Single-Spray Handshower

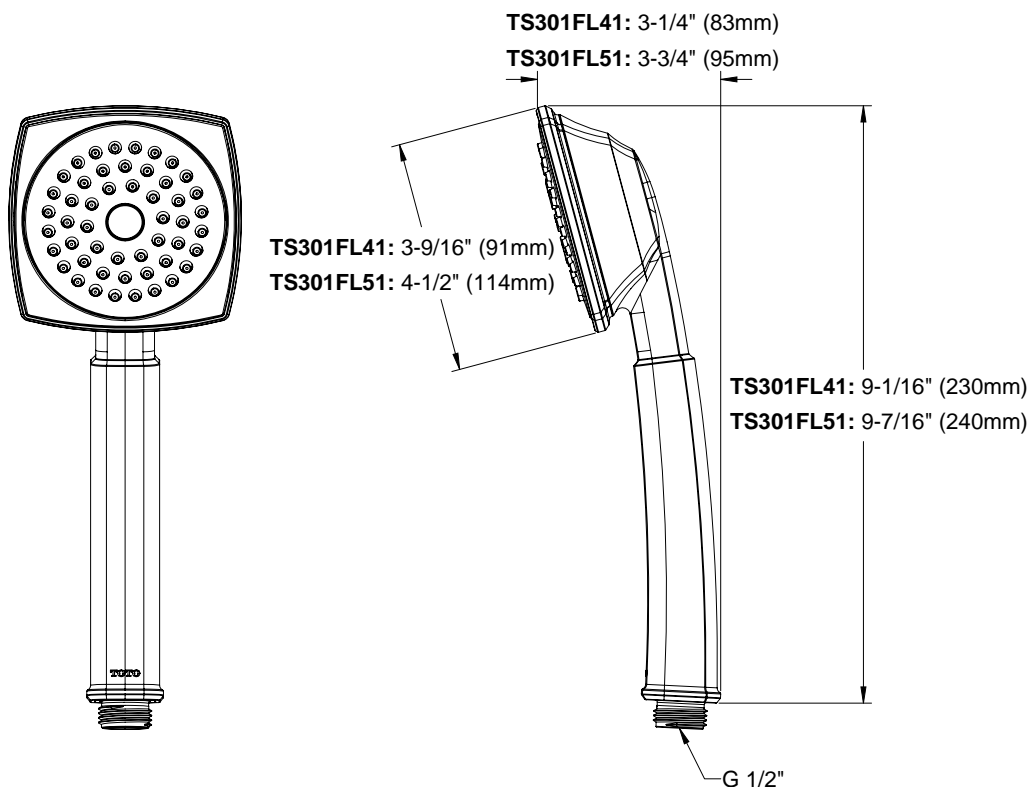
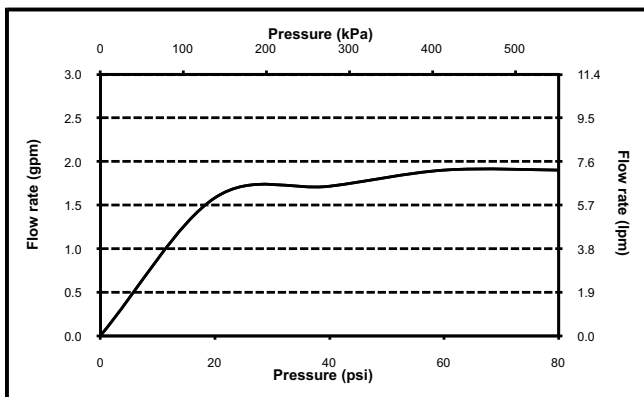
### SPECIFICATIONS

- Warranty: Lifetime Limited Warranty (Residential Use)  
One Year (Commercial Use)
- Material: Plastics
- Shipping Weight: TS301FL41: 0.8 lbs.  
TS301FL51: 0.9 lbs.
- Shipping Dimensions: TS301FL41 & TS301FL51:  
4"L x 4-1/4"W x 11-1/4"H
- Maximum Flow Rate: 2.0 gpm (7.6 lpm)

### INSTALLATION NOTES

#### OPTIONAL HANDSHOWER COMPONENTS:

- TS101R: Wall Outlet
- TS101S: Shower Arm Mount
- TS101V: Handshower Wall-Mount
- TS101W60: Shower Hose 60"



**TOTO®**

*These dimensions and specifications are subject to change without notice*