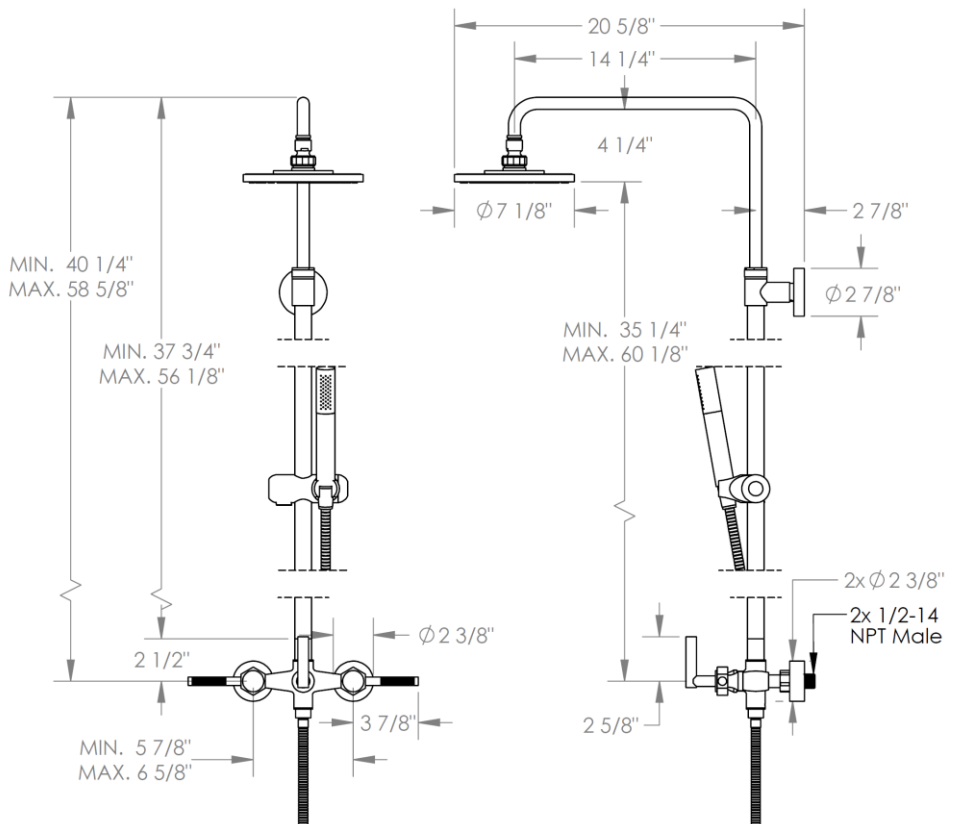


111-6.1HS-

Wall Mounted Exposed Shower with Hand Shower

Flow Rate: 1.75 GPM

Note: Some building codes require remote pressure balance valves for anti-scald



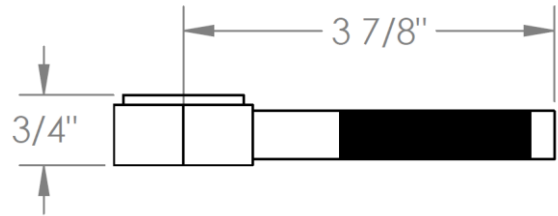
Meets the applicable requirements of ASME A112.18.1-2005/CSA B125.1-05, entitled "Plumbing Supply Fittings"

WATERMARK DESIGNS

3/8/2019

HANDLE TRIM OPTIONS

SP4 – ZEZE



SP5 – PISACANE

