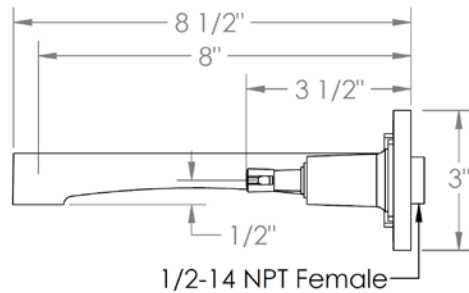
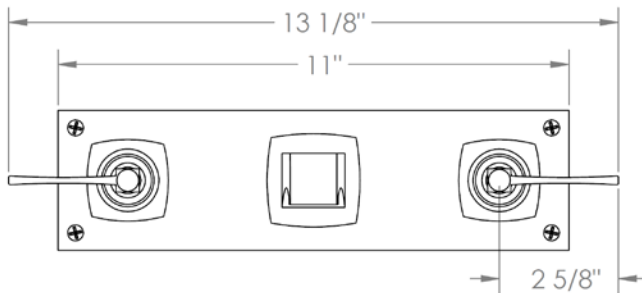
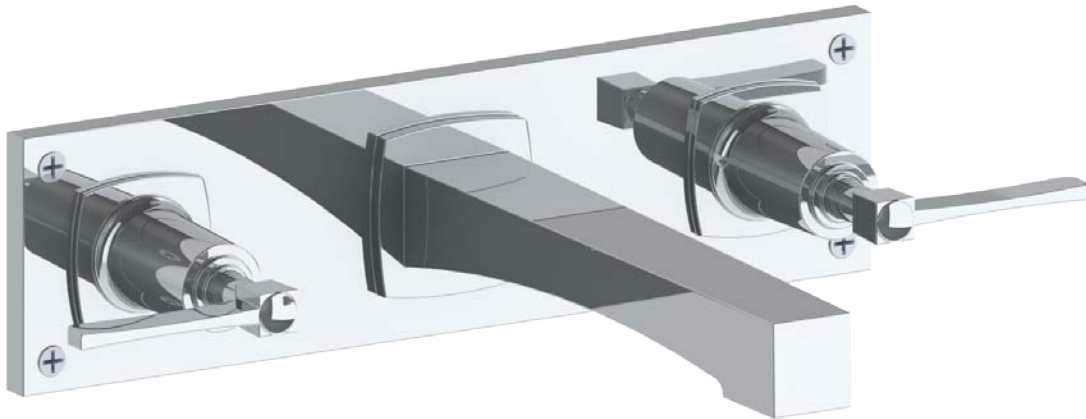


115-2.2PLT-MZ4

Wall Mounted 3 Hole Lavatory Set with Wall Plate
For use with SS-THV2.2-26 concealed rough
Flow Rate: 1.2 GPM



Meets the applicable requirements of ASME A112.18.1-2005/CSA B125.1-05, entitled "Plumbing Supply Fittings"

WATERMARK DESIGNS 5/15/2018

350 Dewitt Ave Brooklyn NY 11207 USA T 718 257 2800 F 718 257 2144 info@watermark-designs.com