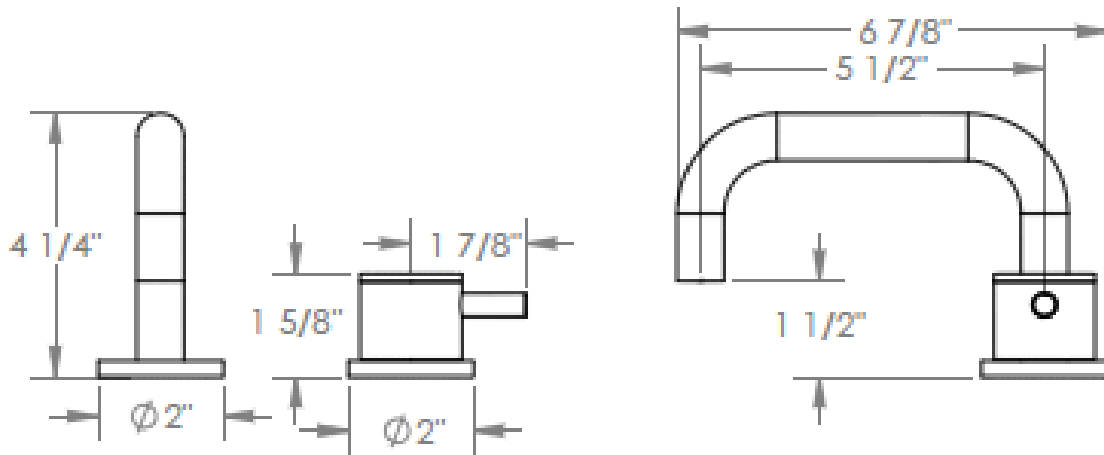


22-1.3.17-TIC

Deck Mounted 2 Hole Lavatory Set

Flow Rate: 1.2 GPM

Includes MPU5 Soft Touch Drain with Overflow



Meets the applicable requirements of ASME A112.18.1-2005/CSA B125.1-05, entitled "Plumbing Supply Fittings".