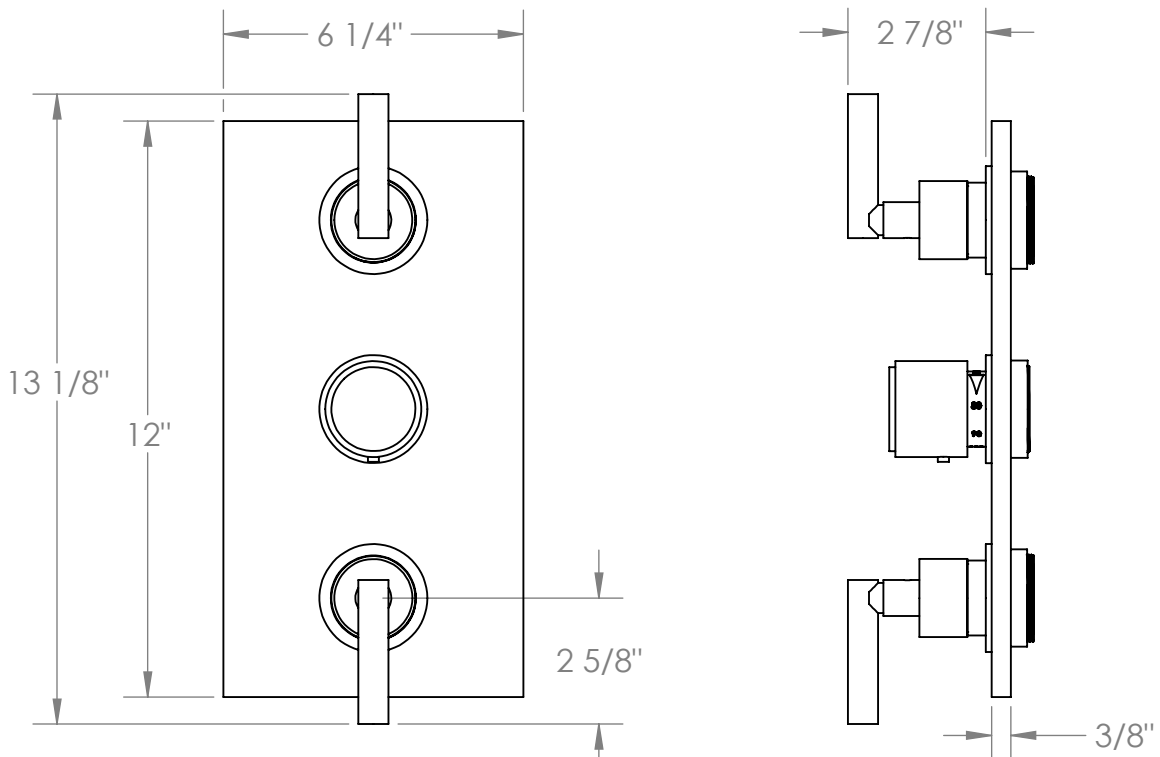


**27-THRMKT30-CL14-CL16**  
Trim Kit Only for Thermostatic Valve



Meets the applicable requirements of ASME A12.18.1-2005/CSA B125.1-05, entitled "Plumbing Supply Fittings"