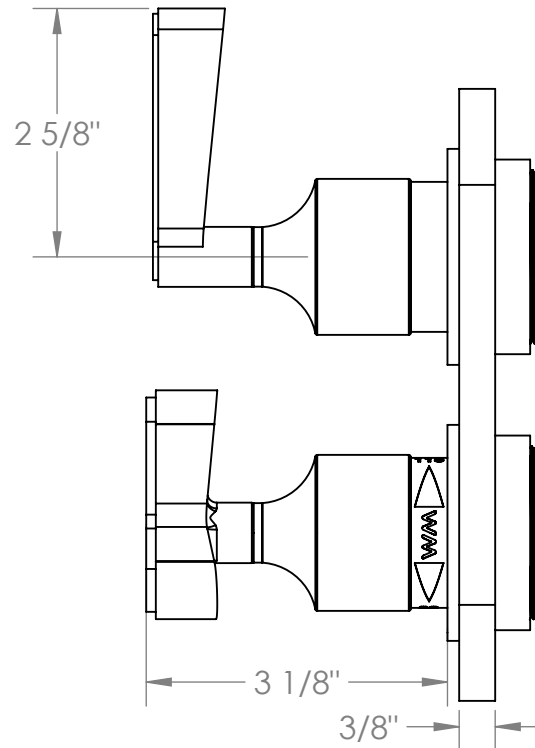
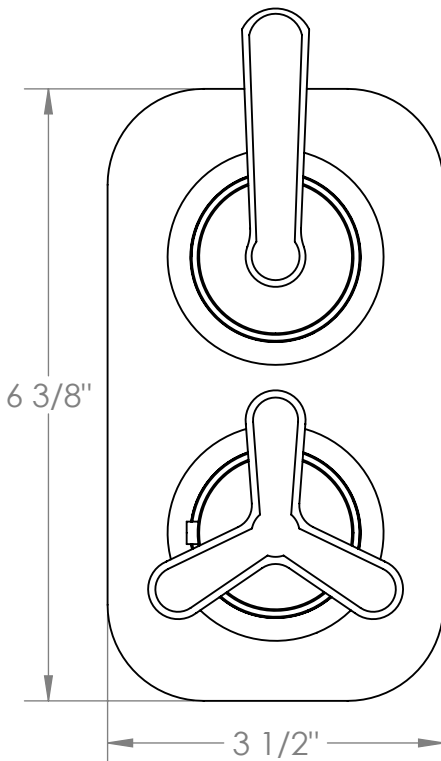
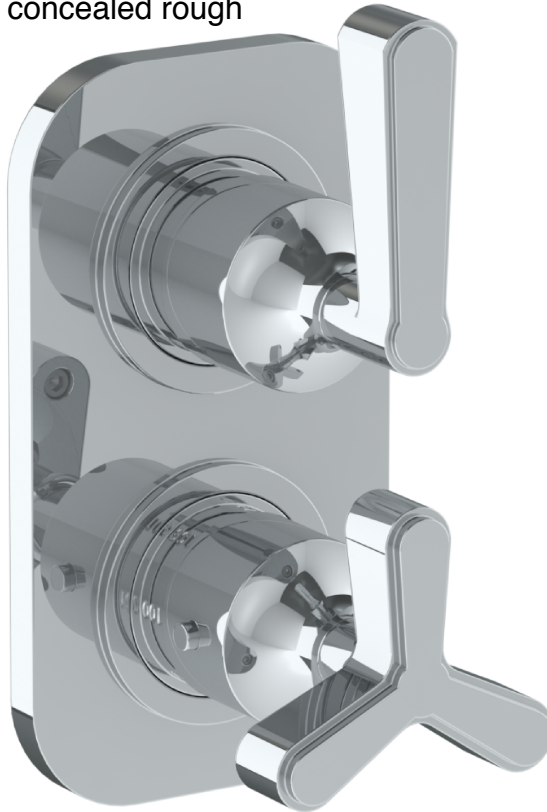


30-T25-TR24

Trim Kit Only for Miniature Thermostatic Valve with Built-In Control
Requires SS-TH60 or SS-TH70 concealed rough



Meets the applicable requirements of ASME A112.18.1-2005/CSA B125.1-05, entitled "Plumbing Supply Fittings"