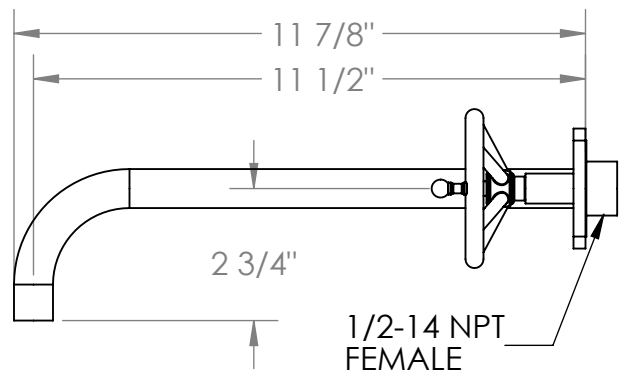
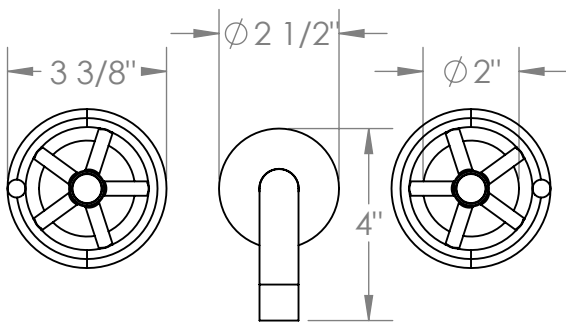
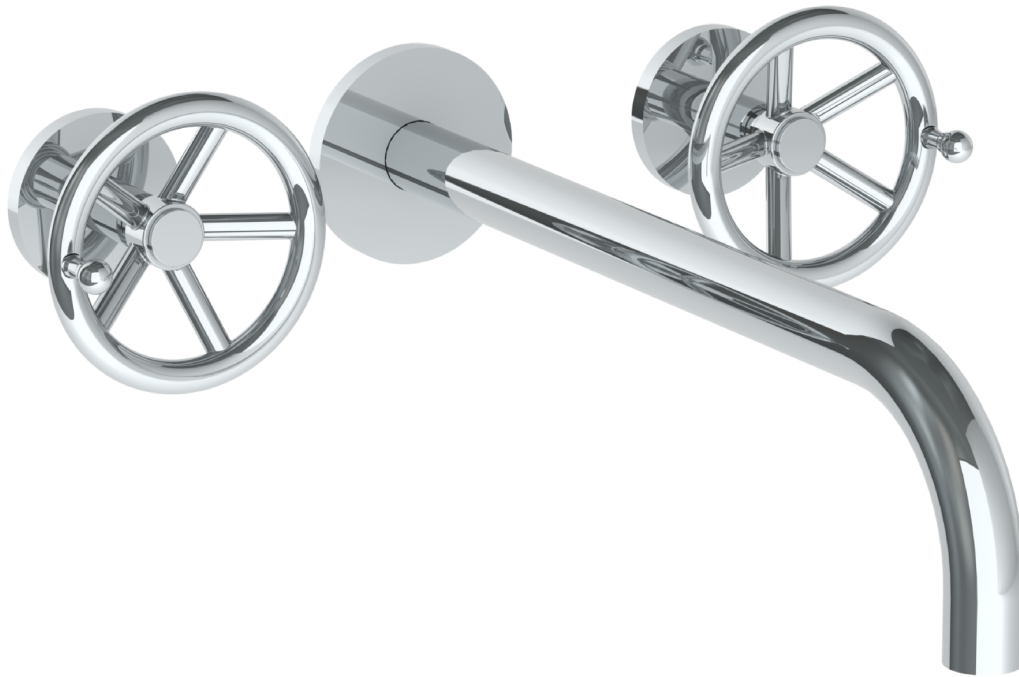


31-2.2L-BKA.1

Wall Mounted Lavatory Widespread
Requires SS-THV2.2 Concealed Rough
Flow Rate:1.2 GPM



Meets the applicable requirements of ASME A112.18.1-2005/CSA B125.1-05, entitled "Plumbing Supply Fittings"