

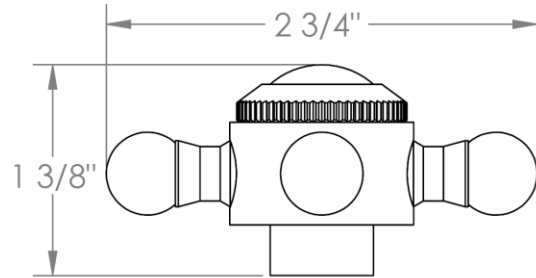
**312-HSPB1-**  
 Wall Mounted Shower Positioning Bar  
 Includes Hand Shower and 69" Hose  
 Flow Rate: 1.75 GPM



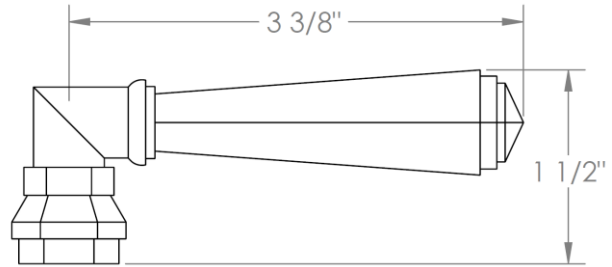
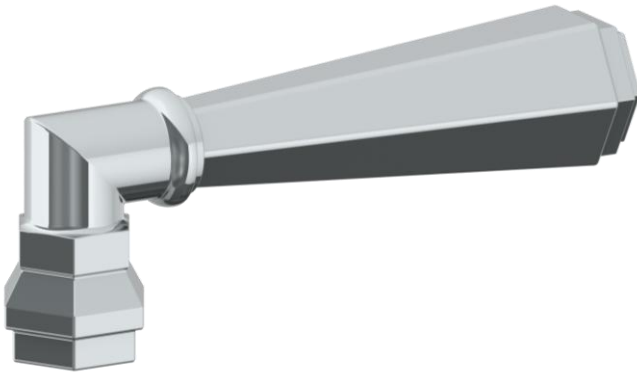
Meets the applicable requirements of ASME A112.18.1-2005/CSA B125.1-05, entitled "Plumbing Supply Fittings"

**HANDLE TRIM OPTIONS**

X - OXFORD  
V - WALES



Y - LYONS



Y2 - WILLIAMS

