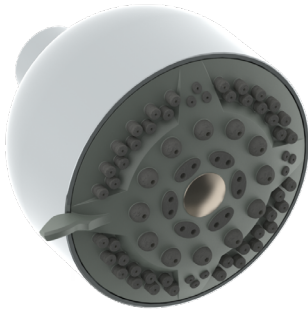


# WATERMARK

BROOKLYN, NEW YORK

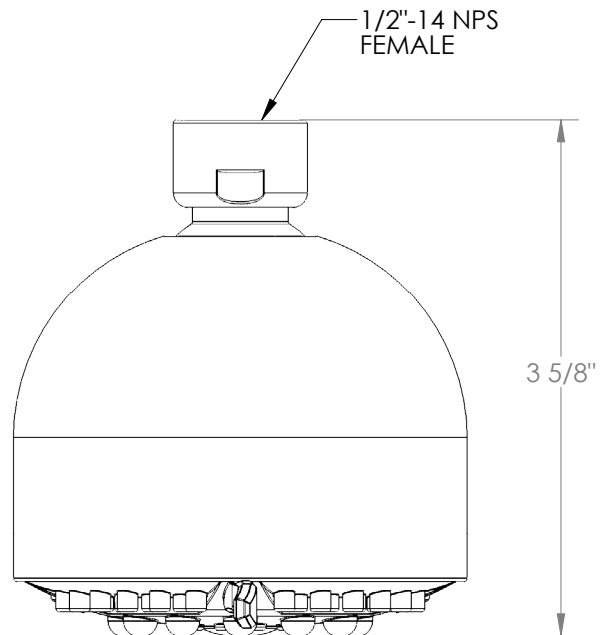
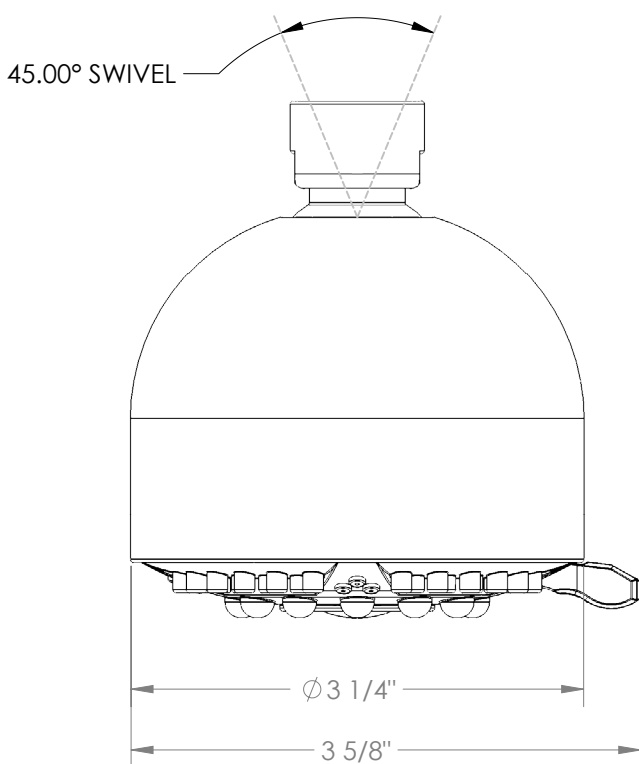
## SH-E12

### 3 Function Antiscale Shower Head



- Flow Rate: 1.75 GPM at 60 psi
- Spray Patterns: Massage, Mist, and Rain
- Swivel Range of Motion: 20-25°
- Professional Installation Required.
- Only available in the following finishes: PC, GM, PN, SN, AB, EB, EL, ORB, PT, SEL, VB, CL, PG, SG

Available in all finishes shown on the [Watermark Designs website](https://www.watermark-designs.com)



Meets the applicable requirements of ASME A112.18.1-2005/CSA B125.1-05, entitled "Plumbing Supply Fittings".

Watermark Designs reserves the right to make revisions without notice to produce specifications. All product dimensions are nominal.

05/2022

350 Dewitt Ave. Brooklyn, NY 11207 USA | T: 1 718 257 2800 | F: 1 718 257 2144 | [customerservice@watermark-designs.com](mailto:customerservice@watermark-designs.com)