

# LENOVA

4580 W Roosevelt Rd Hillside, IL 60162 [www.Lenovasinks.com](http://www.Lenovasinks.com) Phone: 877-733-1098

## SPECIFICATIONS

## MODEL SS-TM-33818-1H

### GENERAL

Fine quality sink formed of 18 gauge, type 304 nickel bearing stainless steel.

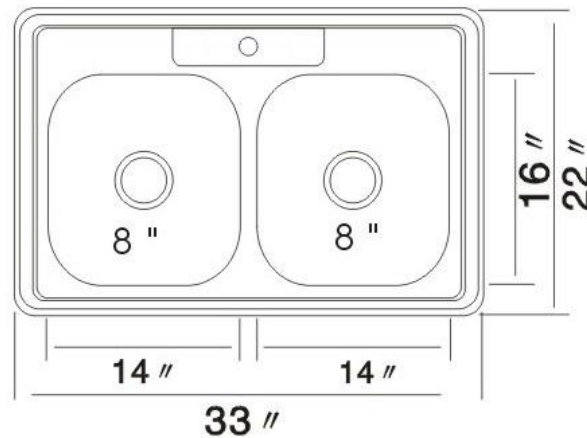
### DESIGN FEATURES

Bowl depth 8 inches with inside bowl dimensions 14" X16" over all 33" X 22"

**Finish:** Inside bowl surfaces polished to a uniform satin finish.

**Underside:** High density sound absorption pads covered with a thick rubberized insulation layer on all bottom surfaces.

**Other:** Drain opening 3 ½".



**CUPC certified**

Minimum cabinet size 33"

Product shall be specified as SS-TM-33818

### OPTIONAL ACCESSORIES:

Sink Drain: A-SS-01, A-SS-02

### Warranty:

Limited Life Time warranty against manufacturer defects and craftsmanship.

### Codes/Standards Applicable:

ASME A112.19.3/CSA B45.4

\*Template and mounting clips are packed with every sink