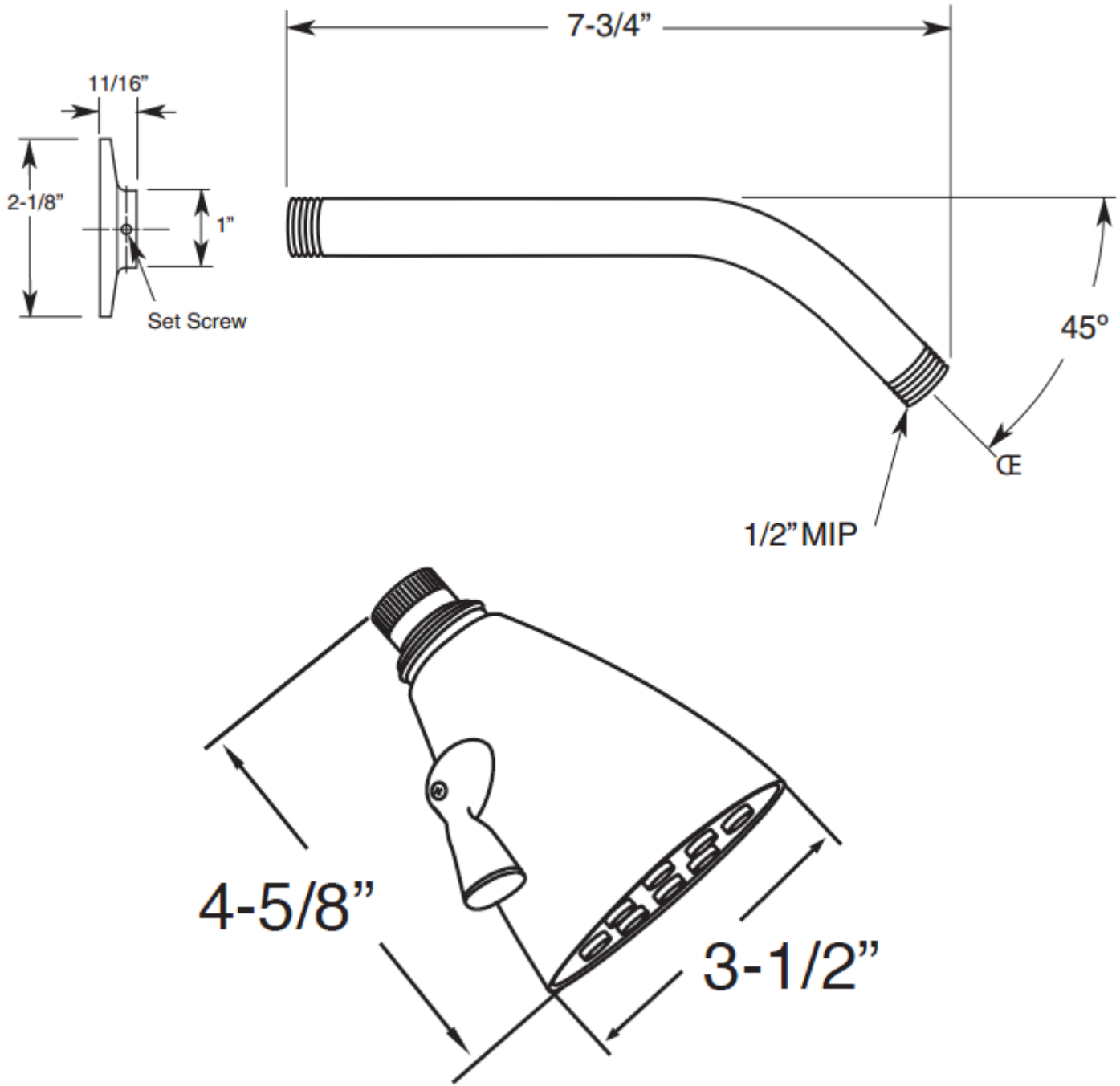




# PRODUCT SPECIFICATIONS

Shower Head, Arm, & Flange  
SF-SHW-10-105

Dec 2016



- Custom finishes available

Connection	1/2" NPT
GPM	2.0