

SWANSTONE®

RECESSED ACCESSORY SHELF

Model AS-1075

Installation • Care and Cleaning

Included in Carton

- A. One Recessed Accessory Shelf
- B. One Tube of Silicone Adhesive

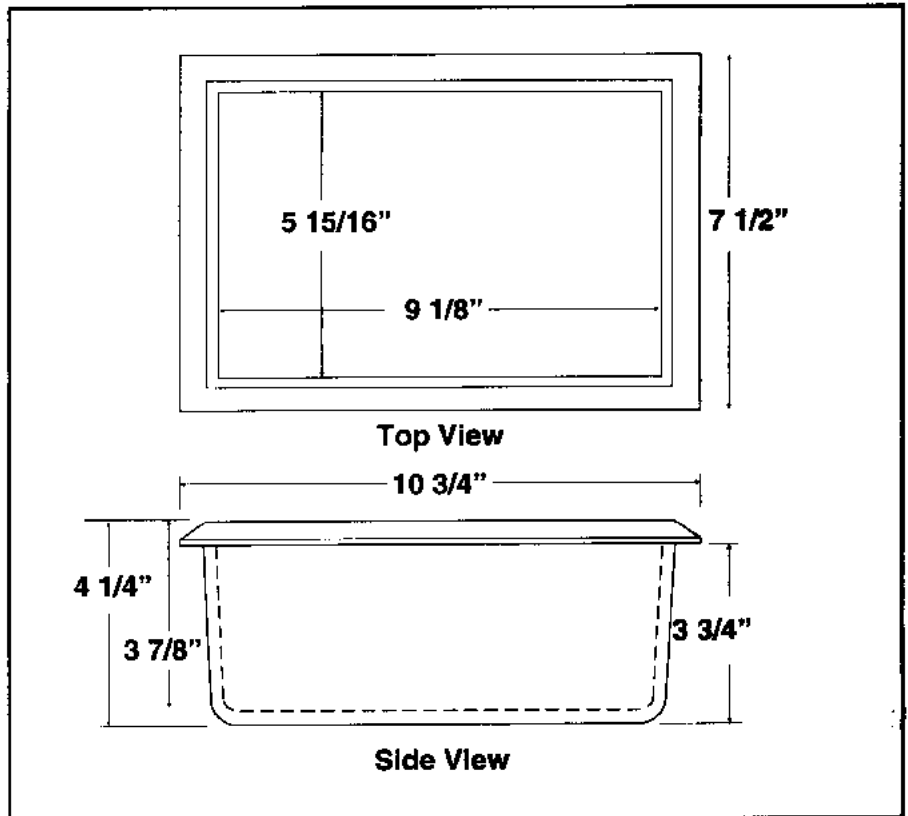
Cleaning

Following Installation: Silicone adhesive residue can be cleaned up with mineral spirits.

Day-To-Day

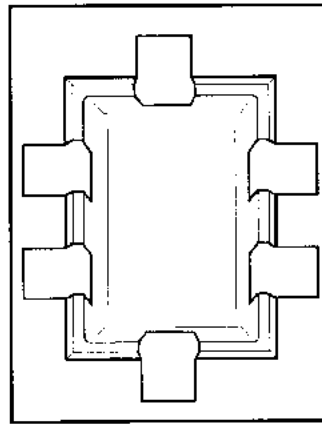
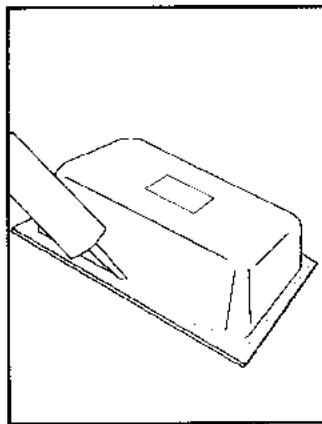
Clean-up

Like all Swanstone material, use normal household detergents and cleansers. Just wiping the surface removes water marks and residues. Occasional scrubbing with household abrasive cleaners ensures that the original luster is maintained similar to tile and other permanent bath fixture materials.



1. Select a desirable location for mounting the Swanstone Recessed Accessory Shelf. A stud finder may be used to assist in locating an area which will allow for placement of the unit. The depth of Recessed Accessory Shelf (3 3/4") will not permit any obstruction in the wall (light fixture, electrical wiring, plumbing, etc.). Therefore, it will be necessary to check prior to installation that the area occupied by the Recessed Accessory Shelf is clear of any obstruction.

2. Determine if the placement will be vertical or horizontal and cut a rectangular hole 6 7/16" x 9 11/16".



IMPORTANT
Apply a 1/8" bead of silicone adhesive (supplied) around the inside corner of the Swanstone Recessed Accessory Shelf.

To assist in a secure fit, it is suggested that the Swanstone Recessed Accessory Shelf be held into place with either masking tape or hot glue. Tape the Recessed Accessory Shelf into position, or apply a dab of hot glue in each corner. This will hold the Swanstone Recessed Accessory Shelf in place until the silicone adhesive sets up. Allow 24 hours for drying.